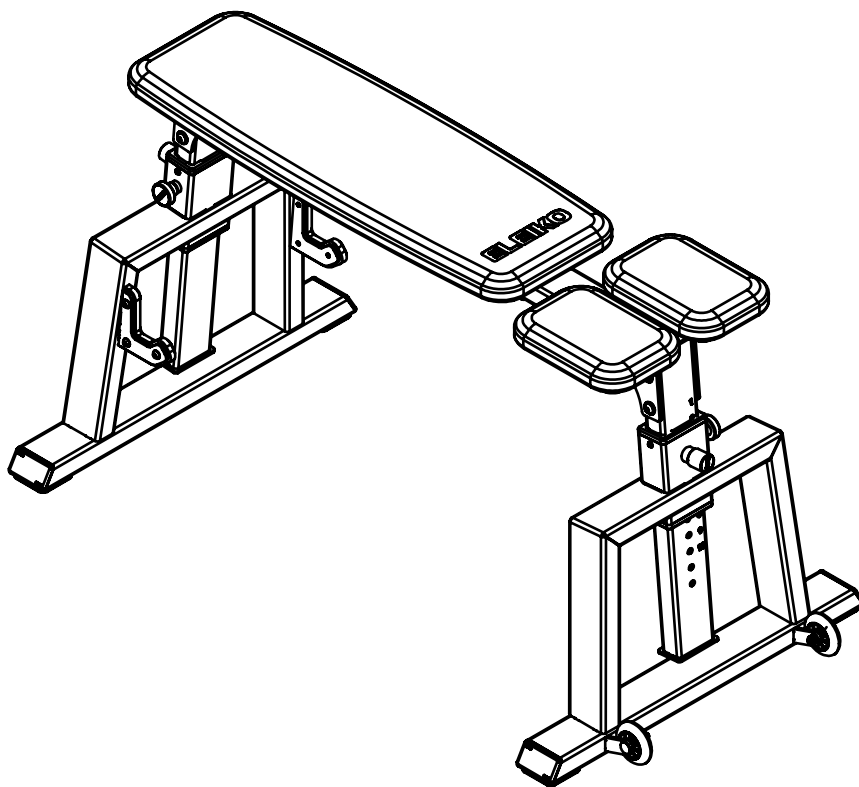


ELEIKO SEAL ROW BENCH

Art.no. 3085628, 3085629



ELEIKO

CONTENTS

Read before installation and use	3
Safety instructions	3
Warning labels	4
List of components	5
Assembly instructions	7
Tools needed	7
User guide	14
Purpose	14
General instructions for use	14
Product specifications	14
Care and maintenance	15
Preventive maintenance and inspections	15
Spare parts and service	15
Warranty	15

READ BEFORE INSTALLATION AND USE

Install and use this equipment in a place where access and supervision are specifically controlled by the owner.

Be sure to install the equipment on a stable base and level the equipment properly. Eleiko recommends that all equipment is installed by a licensed contractor or an Eleiko installer.

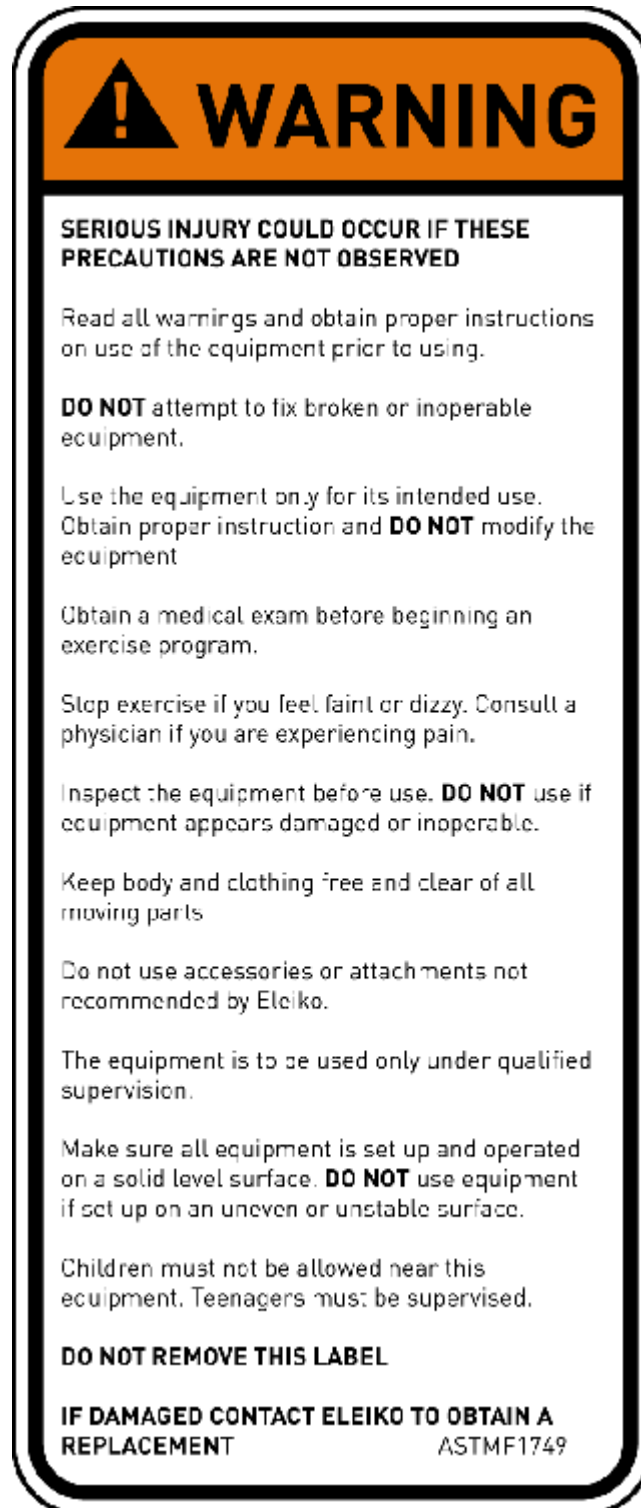
This equipment is intended for indoor use only.

SAFETY INSTRUCTIONS

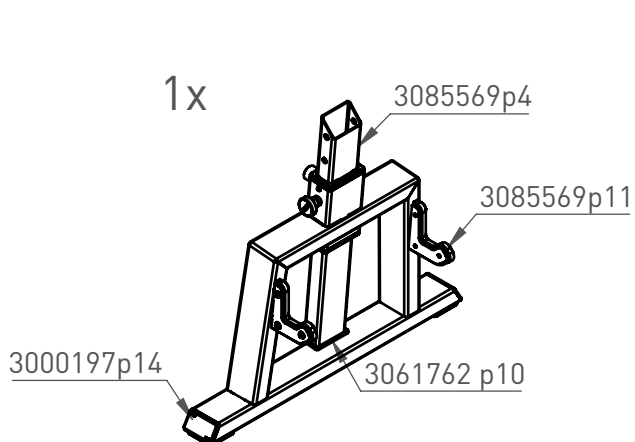
It is the responsibility of the purchaser of ELEIKO products to instruct all users and supervising personnel on proper usage of the equipment.

1. All included warnings (labels) and instructions **MUST** be read before the use of any Eleiko equipment. Only use the equipment as it is intended.
2. A user **MUST** get a medical examination and proper instructions before using any Eleiko equipment.
3. **DO NOT** let anyone, under any circumstances, use equipment that appears to be damaged. Do not try to repair any equipment before consulting an Eleiko technician.
4. **DO NOT** replace components of Eleiko equipment with other, none Eleiko, equipment (magnetic safety pin, frames, bars etc.). Do not improvise! If there are any doubts, consult an Eleiko representative prior to any intervention.
5. **DO NOT** overload the equipment and **DO NOT** try to exceed personal strength levels.
6. Children under the age of 14 must be supervised by an adult.
7. **DO NOT** remove any safety labels from the Eleiko equipment. Eleiko is not responsible if a label is removed. Replace damaged labels immediately.
8. Eleiko packaging for products can be made of wood. Be aware of splinters! You **MUST** use protective gloves and proper work wear.
9. Eleiko packaging material could be a risk when handling. Be aware of crushing! You **MUST** use work wear including protective gloves and hard shoes.
10. Eleiko products and packing material are heavy, You **MUST** use proper lifting techniques, work wear and hard shoes.

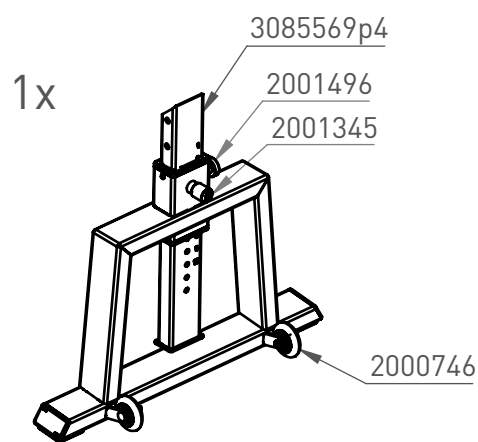
WARNING LABELS



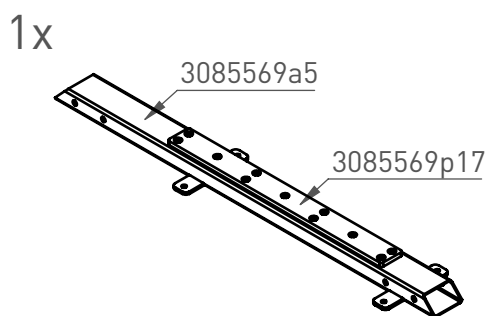
LIST OF COMPONENTS



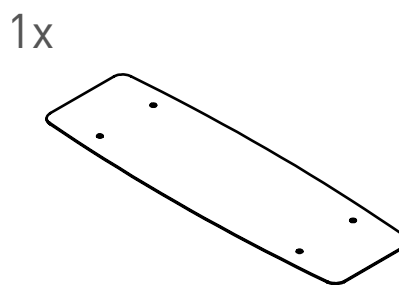
FRONT FRAME



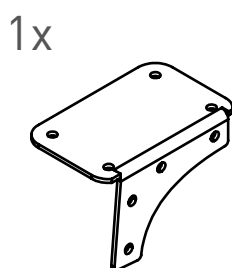
BACK FRAME



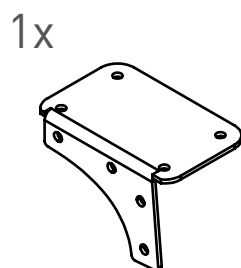
BACK REST FRAME



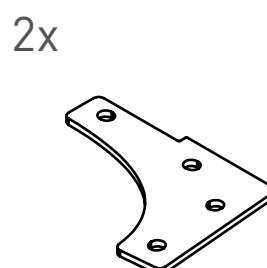
3085437 p25



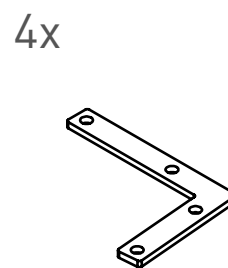
3085569a4



3085569a3



3085569p9



3085569p10



M10 x 30 WITH FLANGE
2001435-L30

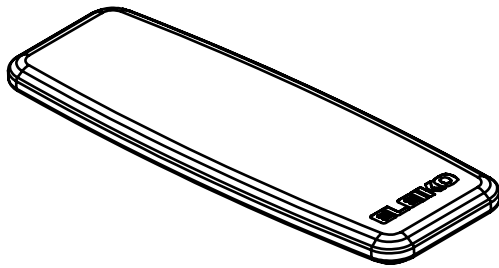


K6S M10 x 20
2000675-L20

LIST OF COMPONENTS

UPHOLSTERY

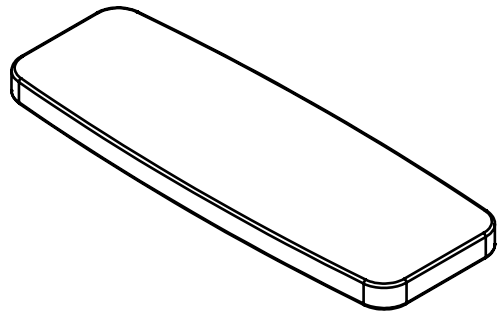
1x



POLYURETHANE
2001273

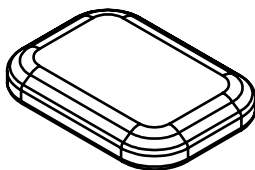
OR

1x



SKAI LEATHER
2001391

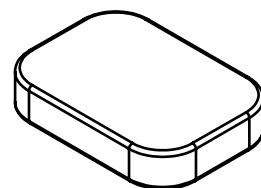
2x



POLYURETHANE
2001413

OR

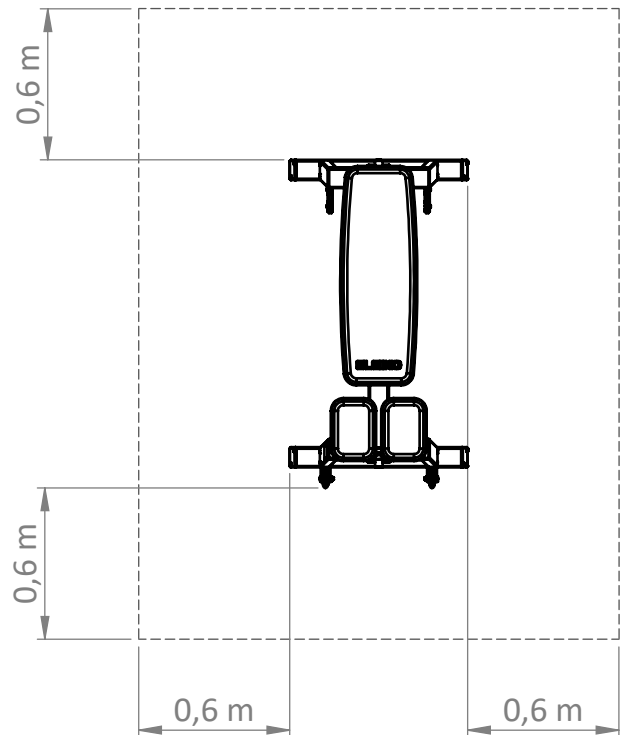
2x



SKAI LEATHER
2001442

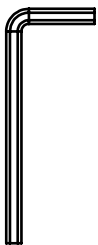
ASSEMBLY INSTRUCTIONS

Before assembly, make sure you have enough clearance on all sides of the equipment, not less than 0,6 meters. Take in account the accessibility to remove and replace bar and weights.



TOOLS NEEDED

You need the following tools to assemble the equipment.

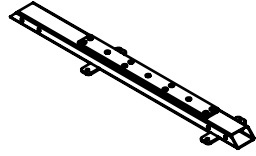


Allen Key Size 6

NOTE: Do not use electric power tools for assembly.

1.

1x



BACK REST FRAME

2x



3085569p9

2x

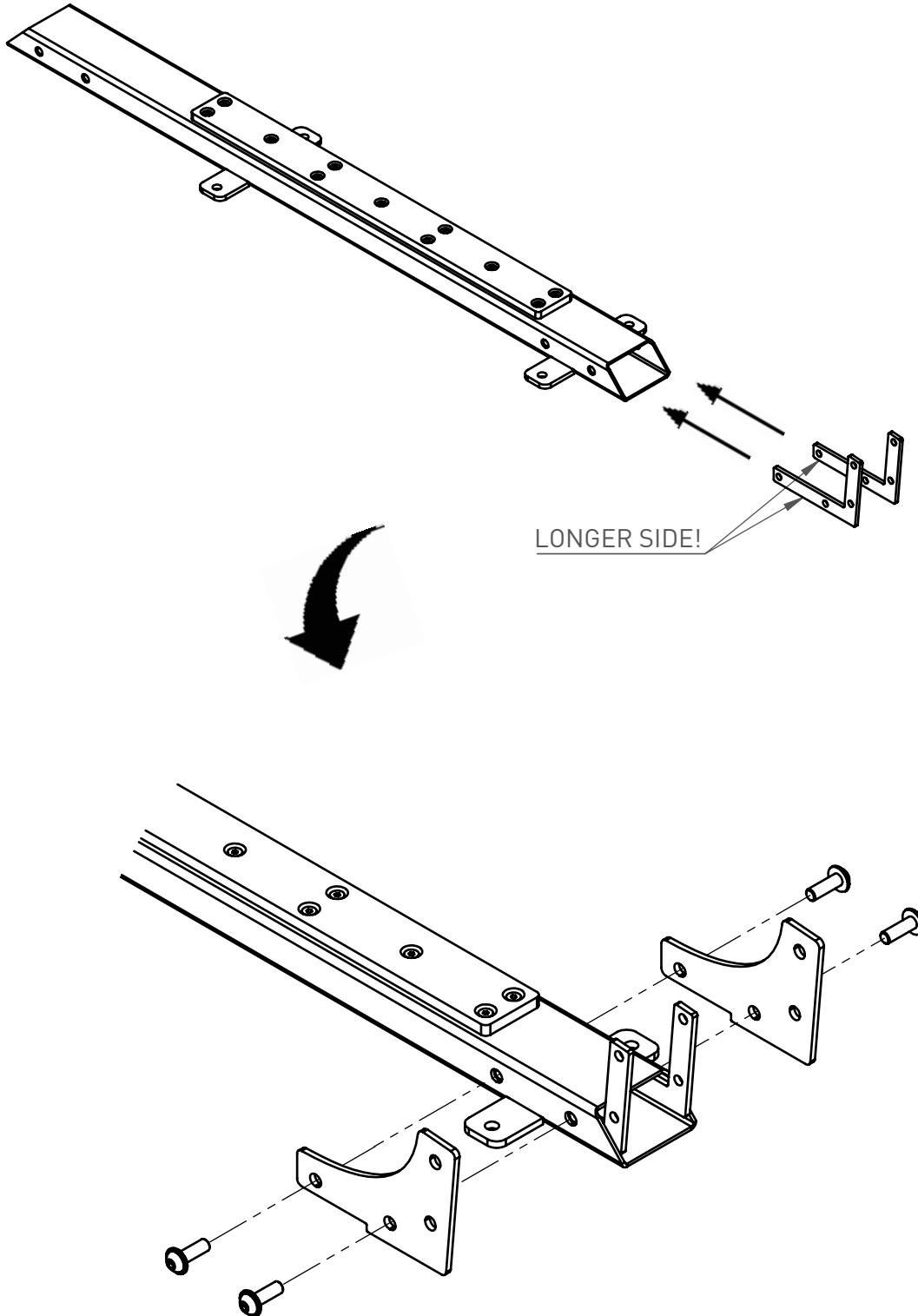


3085569p10

4x



M10 x 30 WITH FLANGE

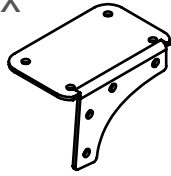


LONGER SIDE!

LOOSE SCREWS!

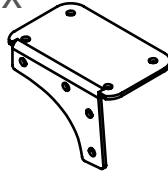
2.

1x



3085569a4

1x



3085569a3

2x

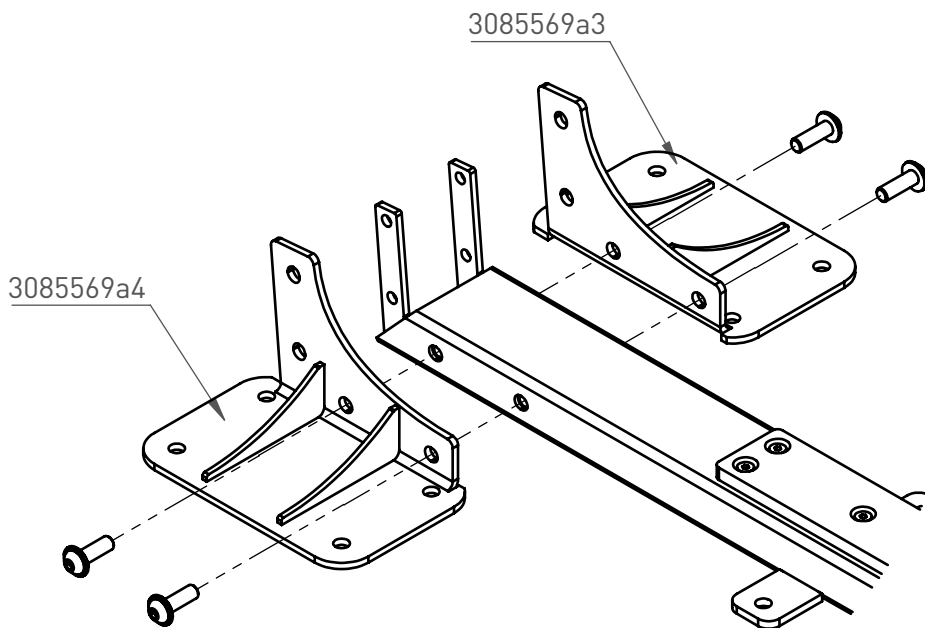
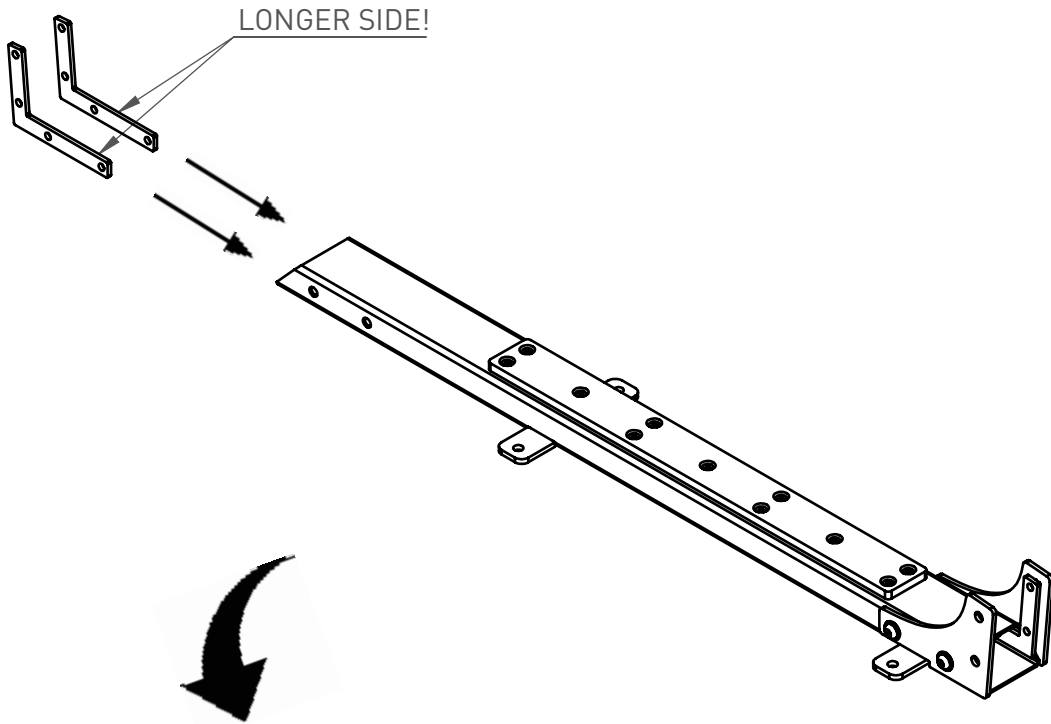


3085569p10

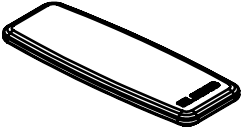
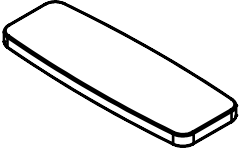
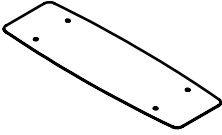

4x



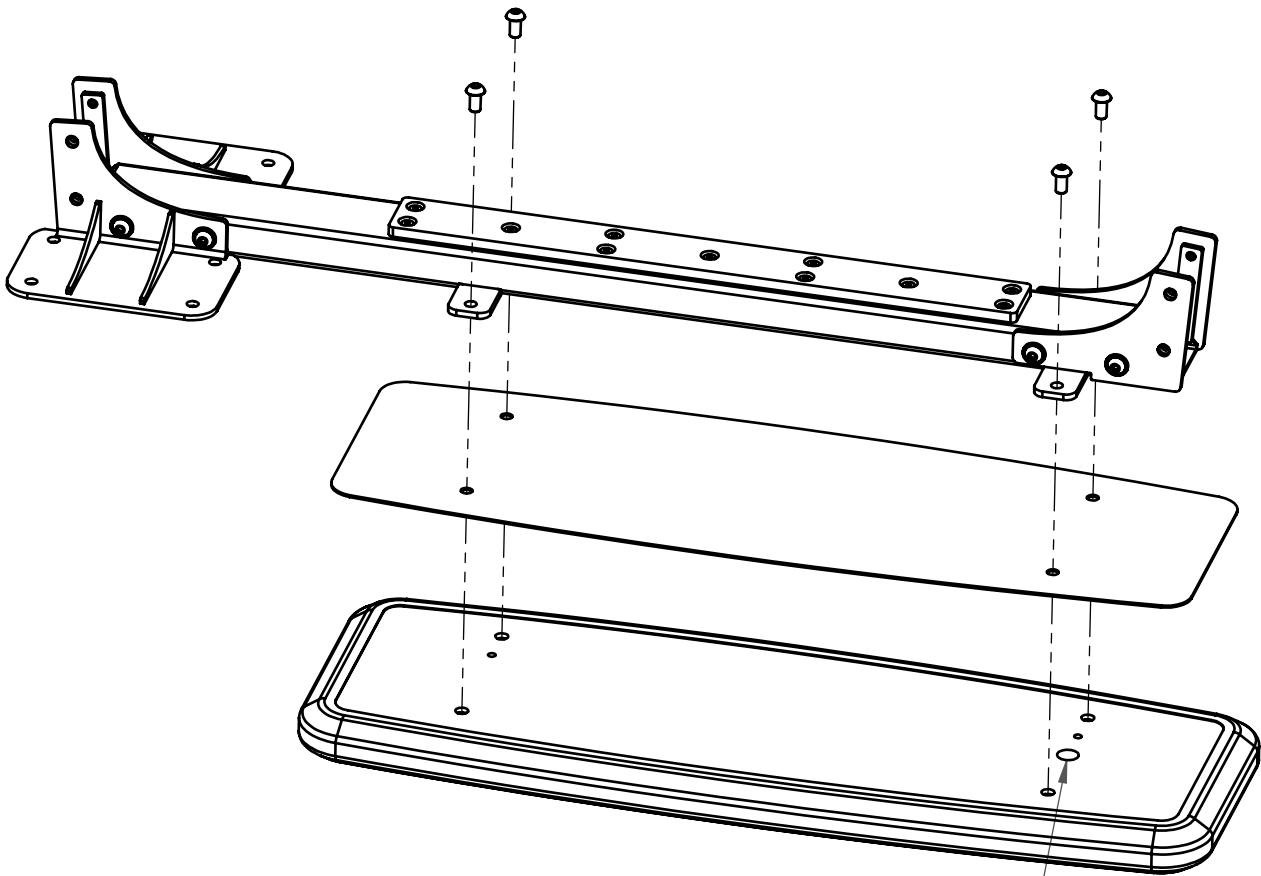
M10 x 30 WITH FLANGE



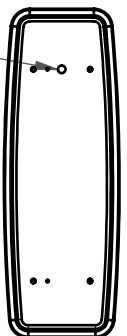
LOOSE SCREWS!

- 3.
- | | | | | |
|---|----|---|--|---|
| 1x | OR | 1x | 1x | 4x |
|  | |  |  |  |
| 2001273 | | 2001391 | 3085437 p25 | K6S M10 x 20 |

TURN BACK REST PLATE SO THAT HOLES MATCHES PERFECTLY!
BLACK SIDE OF BACK REST PLATE TOWARDS BACK REST FRAME!



MAKE SURE THE BACK REST IS TURNED THE CORRECT WAY
WITH HELP OF THE MARKING UNDERNEATH!



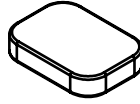
4.

2x



OR

2x



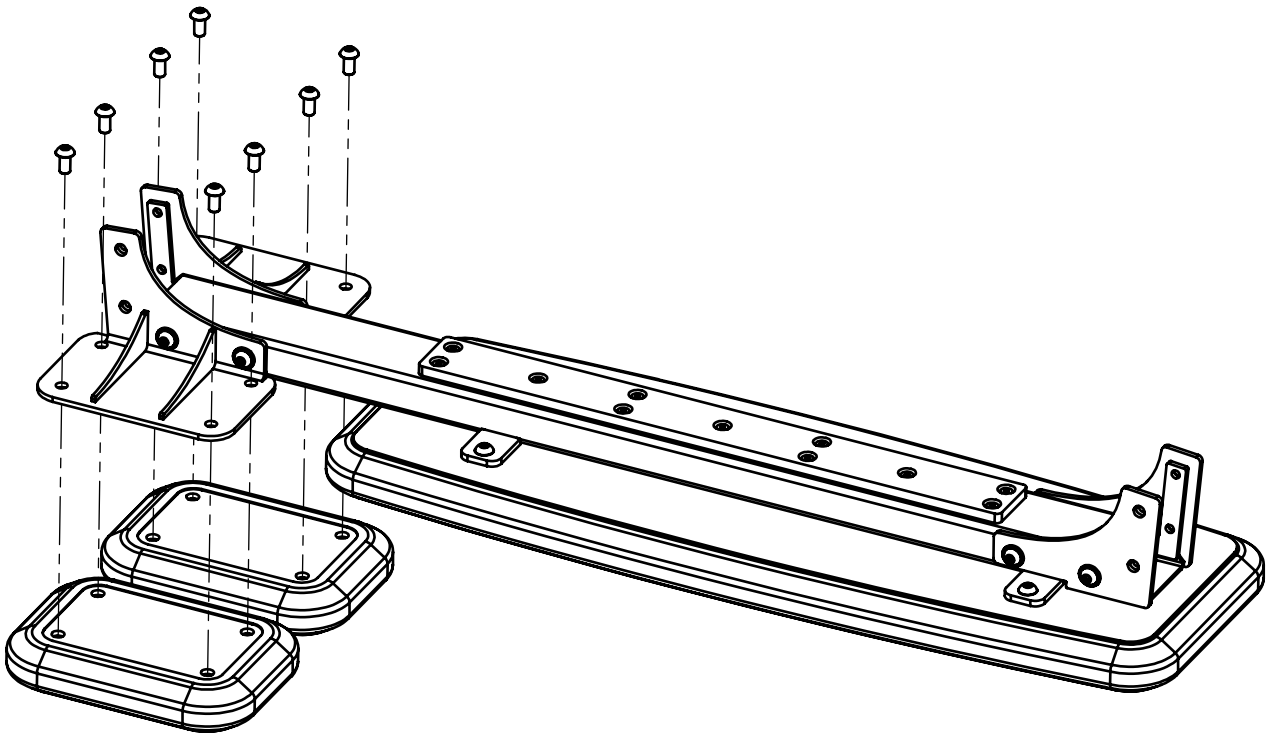
8x



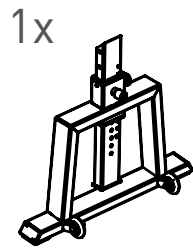
2001413

2001442

K6S M10 x 20



5.

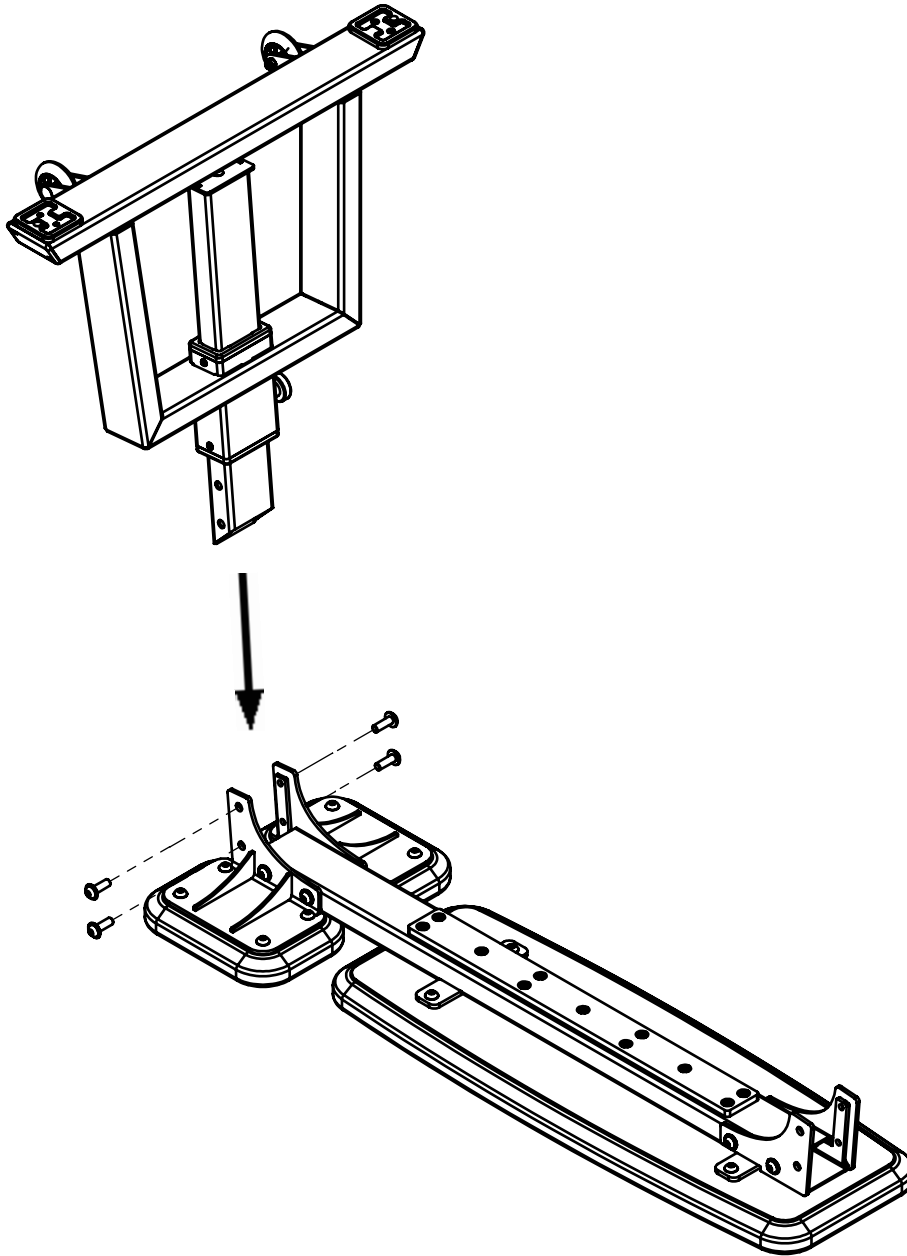


BACK FRAME

4x

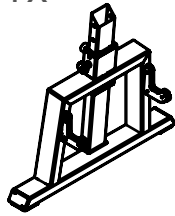


M10 x 30 WITH FLANGE



6.

1x

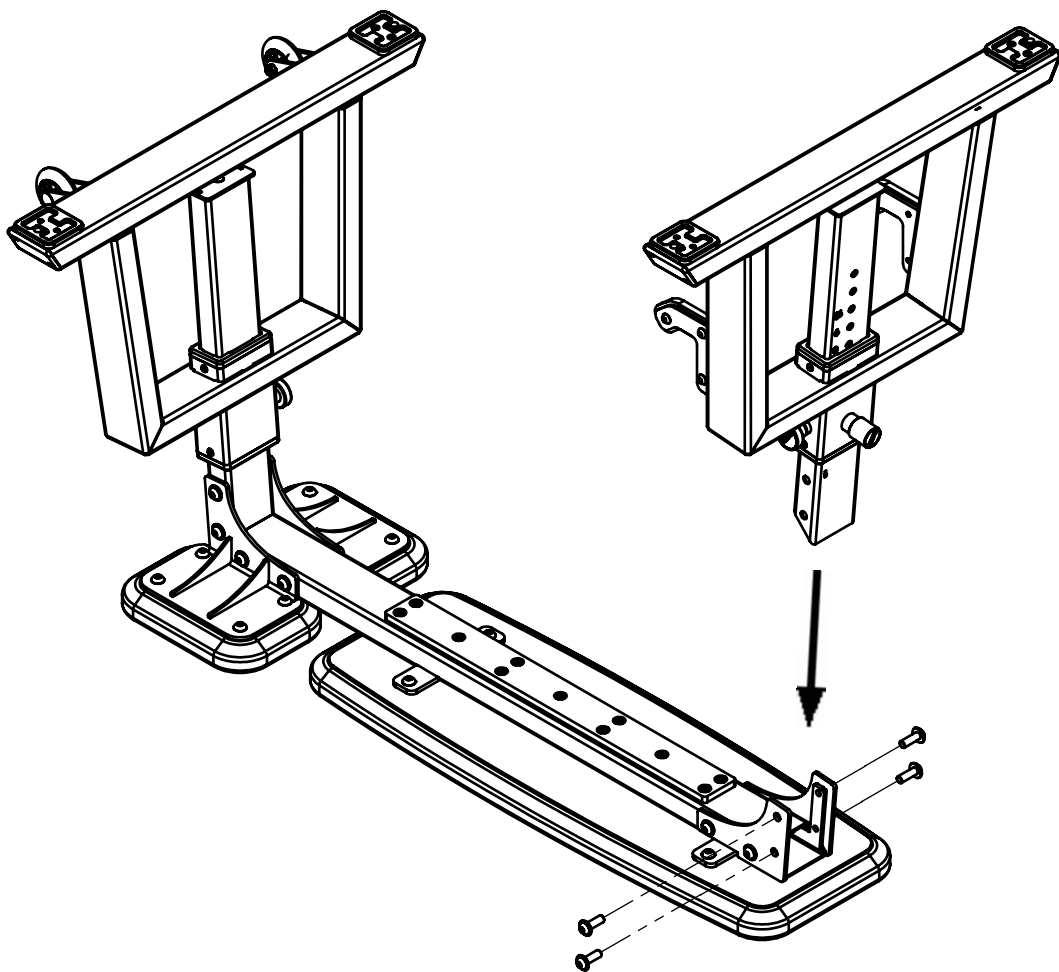


FRONT FRAME

4x



M10 x 30 WITH FLANGE



TIGHTEN ALL SCREWS!

USER GUIDE

PURPOSE

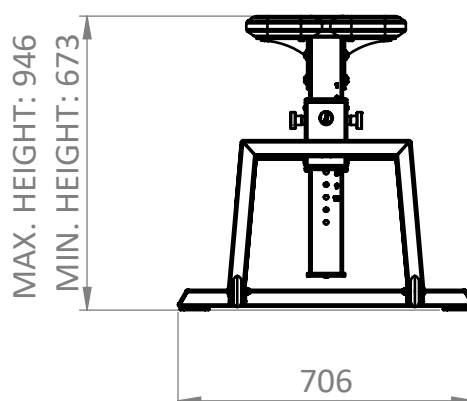
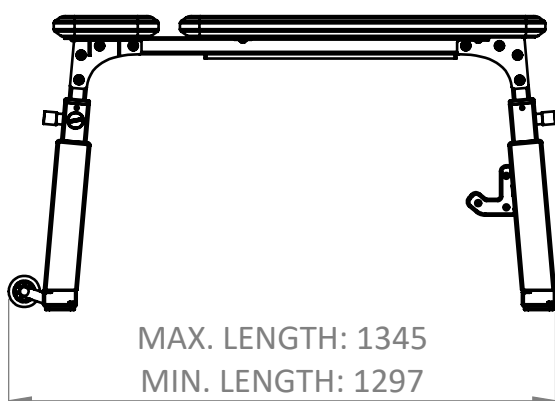
Designed for training the back and perform row exercises.

GENERAL INSTRUCTIONS FOR USE

1. To adjust the height, pull the pop-in pin and loosen the knurled knob.

PRODUCT SPECIFICATION

Max user weight	150 kg / 330 lbs
Max training weight	350 kg / 770 lbs
Product weight	45 kg / 99 lbs
Dimensions (L x W x H)	1345 x 706 x 946 mm 53,0 x 27,8 x 37,2"



CARE AND MAINTENANCE

PREVENTIVE MAINTENANCE AND INSPECTIONS

NOTE: The safety level of the equipment can only be maintained if it is examined regularly for damage and wear.

Daily:

- Cleaning of upholstery.

Regularly:

- Clean surfaces on the frames and tubes from dust and dirt.
- Check that all bolts between parts, walls and floors are properly tightened, according to recommendations.
- Check equipment for sharp edges. Replace parts with sharp edges.
- Check equipment structural frames and welds to ensure they are free from cracks, irregularities or any other abnormalities. If in doubt, consult an Eleiko representative before product use.

Cleaning and Care:

- Apply a mild soap detergent to a lint free cloth, then wipe down product surface.
- While it is safe to use an alcohol-based neutral pH7 solution on surface-treated steel elements of the benches and racks, take care to avoid pads and cushions.
- We recommend alcohol-free, bleach-free, and o-phenylphenol (OPP) ammonia-free wipes.

See also www.eleiko.com.

SPARE PARTS AND SERVICE

Contact Eleiko for spare parts and service:

Eleiko Group AB | Klastorpsvägen 18 | SE-302 62 HALMSTAD | Sweden

E-mail: info@eleiko.com | Phone: +46 35 17 70 70

www.eleiko.com

WARRANTY

All products manufactured by ELEIKO are warranted to the original purchaser to be free from defects in workmanship and / or materials under normal use or service as follows:

- 10 years on structural frame welds (NOT on moving parts).
- 1 year on wear and tear parts.
- 1 year on polyurethane upholstery.
- 6 months on skai-leather upholstery.

Normal wear and tear do not fall under the 10-year warranty.

ELEIKO

Eleiko Group AB | Klastorpsvägen 18 | SE-302 62 HALMSTAD | Sweden
E-mail: info@eleiko.com | Phone: +46 35 17 70 70

www.eleiko.com