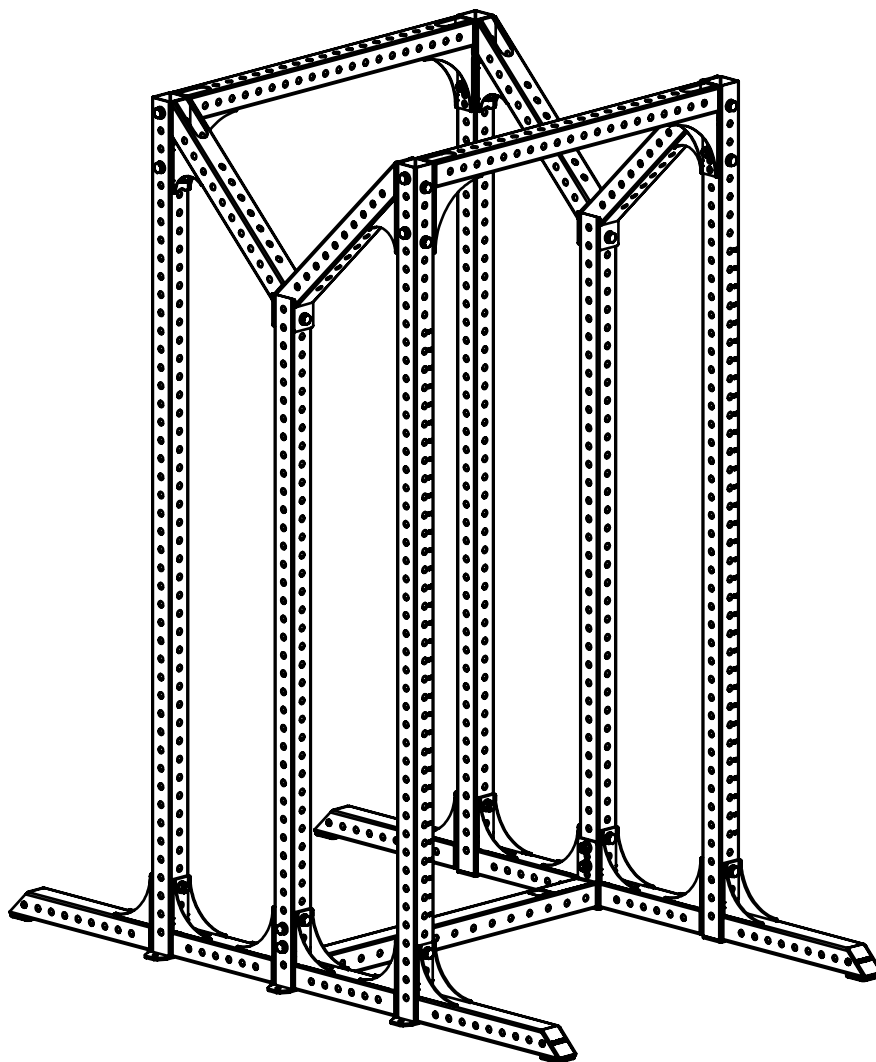


ELEIKO PRESTERA DOUBLE HALF RACK

Art.no. 3085521, 3085533



ELEIKO

CONTENTS

Read before installation and use	3
Safety instructions	3
Warning labels	4
List of components	5
Assembly instructions	6
Tools needed	6
User guide	22
Purpose	22
General instructions for use	22
Product specifications	22
Care and maintenance	23
Preventive maintenance and inspections	23
Spare parts and service	23
Warranty	23

READ BEFORE INSTALLATION AND USE

Install and use this equipment in a place where access and supervision are specifically controlled by the owner.

Be sure to install the equipment on a stable base and level the equipment properly. Eleiko recommends that all equipment is secured to floor and installed by a licensed contractor or an Eleiko installer.

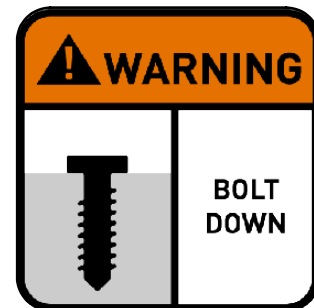
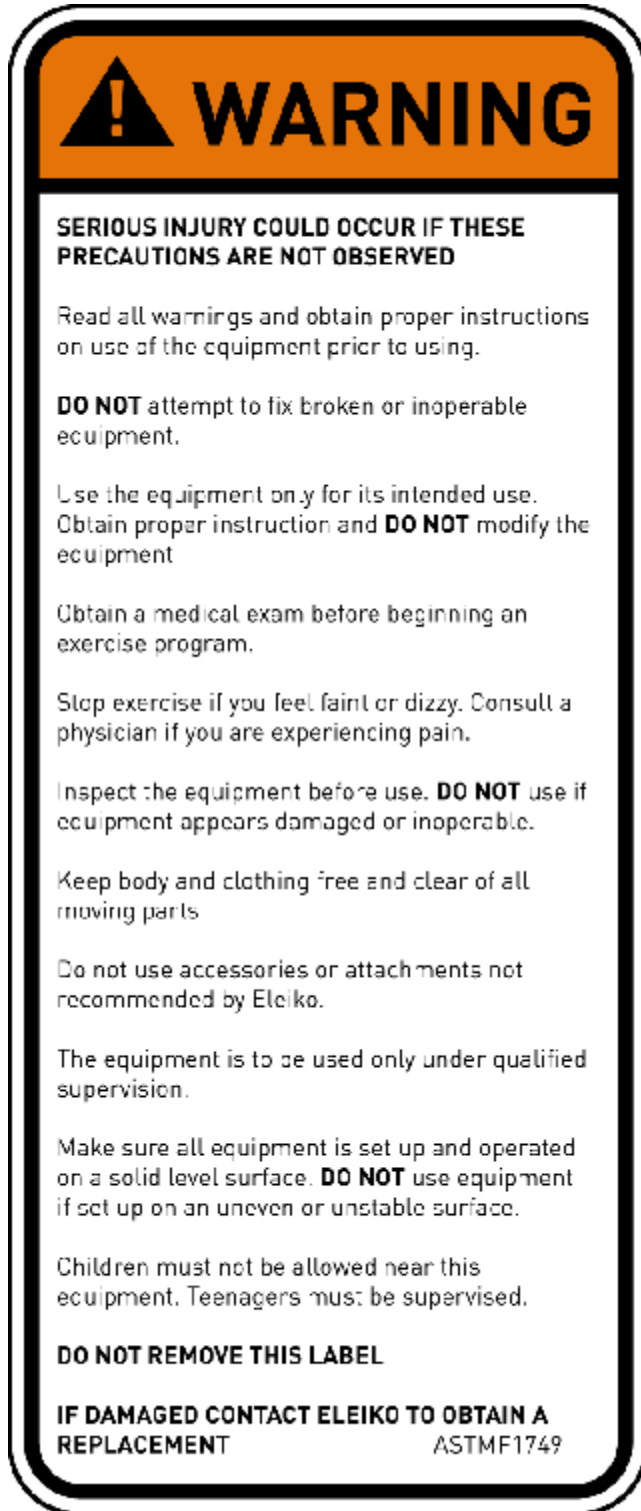
This equipment is intended for indoor use only.

SAFETY INSTRUCTIONS

It is the responsibility of the purchaser of ELEIKO products to instruct all users and supervising personnel on proper usage of the equipment.

1. All included warnings (labels) and instructions **MUST** be read before the use of any Eleiko equipment. Only use the equipment as it is intended.
2. A user **MUST** get a medical examination and proper instructions before using any Eleiko equipment.
3. **DO NOT** let anyone, under any circumstances, use equipment that appears to be damaged. Do not try to repair any equipment before consulting an Eleiko technician.
4. **DO NOT** replace components of Eleiko equipment with other, none Eleiko, equipment (magnetic safety pin, frames, bars etc.). Do not improvise! If there are any doubts, consult an Eleiko representative prior to any intervention.
5. **DO NOT** overload the equipment and **DO NOT** try to exceed personal strength levels.
6. Children under the age of 14 must be supervised by an adult.
7. **DO NOT** remove any safety labels from the Eleiko equipment. Eleiko is not responsible if a label is removed. Replace damaged labels immediately.
8. Eleiko packaging for products can be made of wood. Be aware of splinters! You **MUST** use protective gloves and proper work wear.
9. Eleiko packaging material could be a risk when handling. Be aware of crushing! You **MUST** use work wear including protective gloves and hard shoes.
10. Eleiko products and packing material are heavy, You **MUST** use proper lifting techniques, work wear and hard shoes.

WARNING LABELS



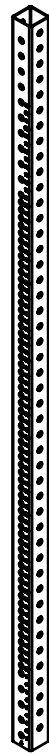
LIST OF COMPONENTS

4x



2001374

4x



2001257

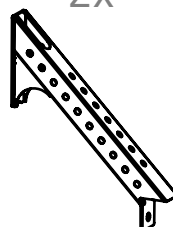
or

2x



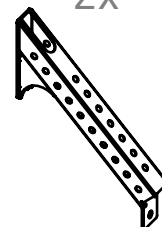
2001320

2x



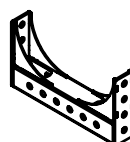
2001299

2x



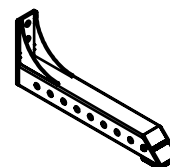
2001380

4x



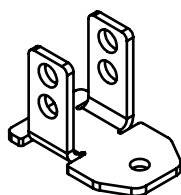
2001317

4x



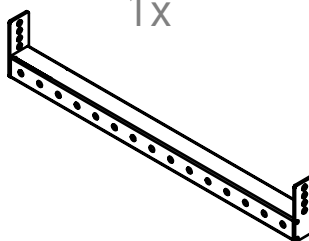
2001302

6x



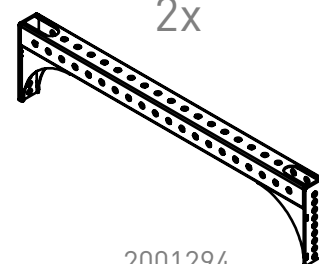
2001373

1x



2001283

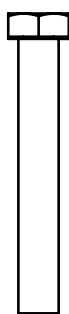
2x



2001294

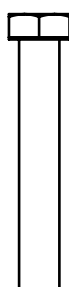
Screw kit 2001388

10x



M16x110
2001385-L110

24x



M16x100
2001385-L100

64x



2001421

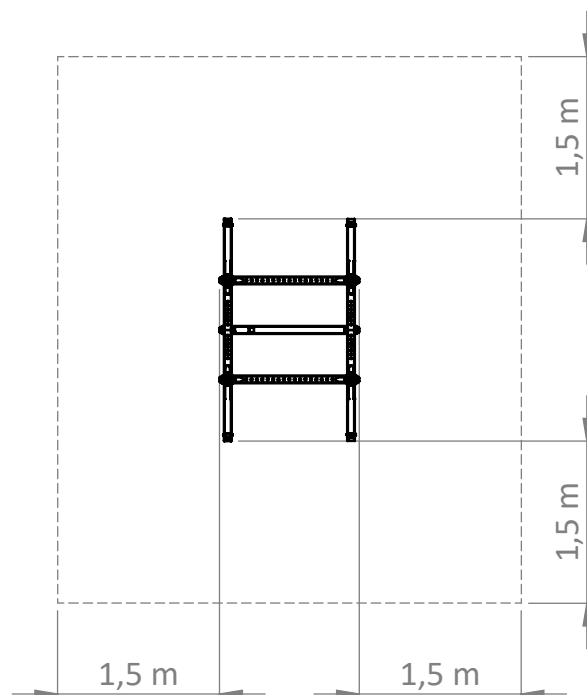
30x



2001379

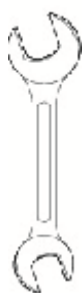
ASSEMBLY INSTRUCTIONS

Before assembly, make sure you have enough clearance on all sides of the equipment, not less than 1,5 meters. Take in account the accessibility to remove and replace bar and weights.



TOOLS NEEDED

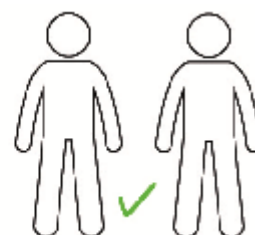
You need the following tools to assemble the equipment.



Wrench
24 mm

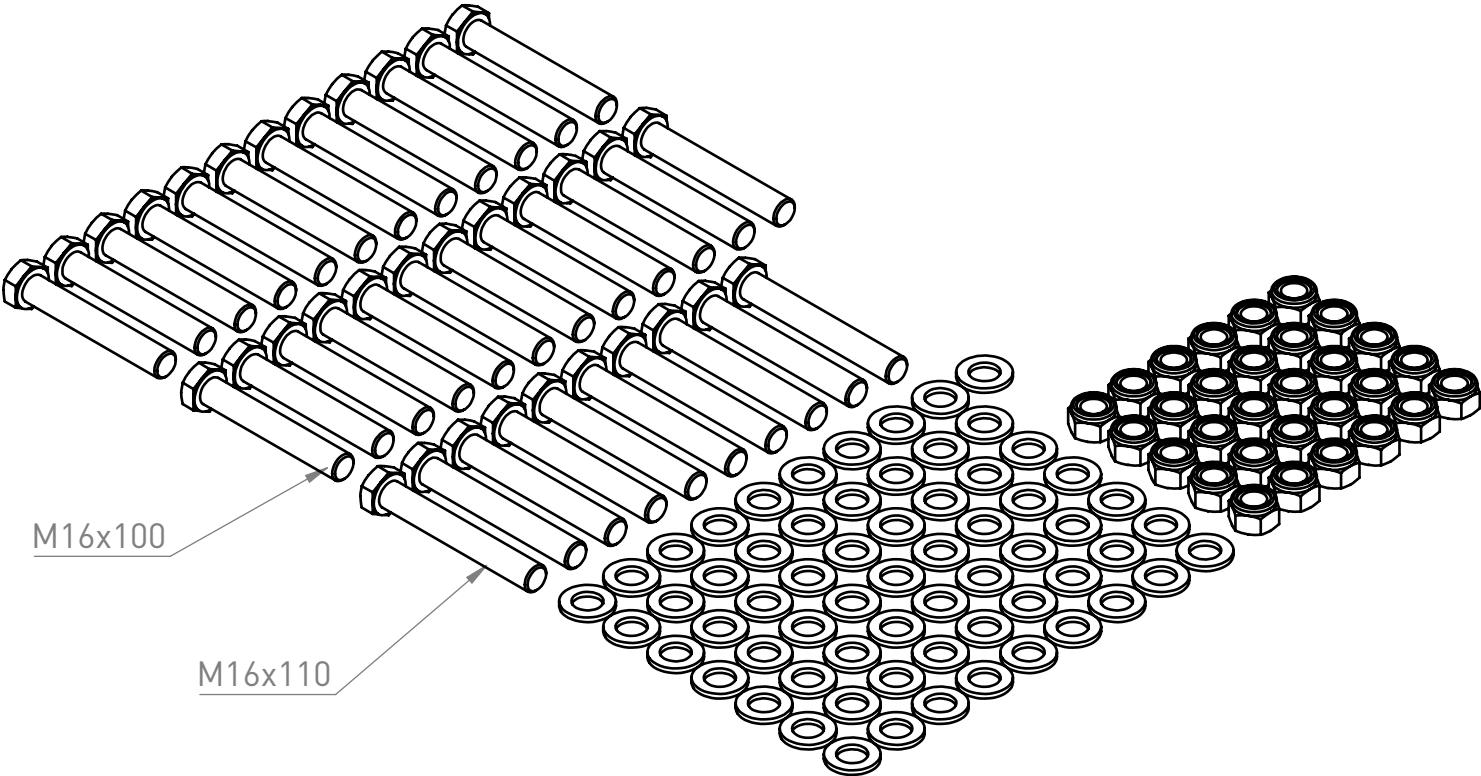


Socket Wrench
24 mm



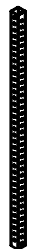
NOTE: Do not use electric power tools for assembly.

PREPARATION



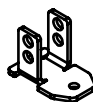
1.

1x

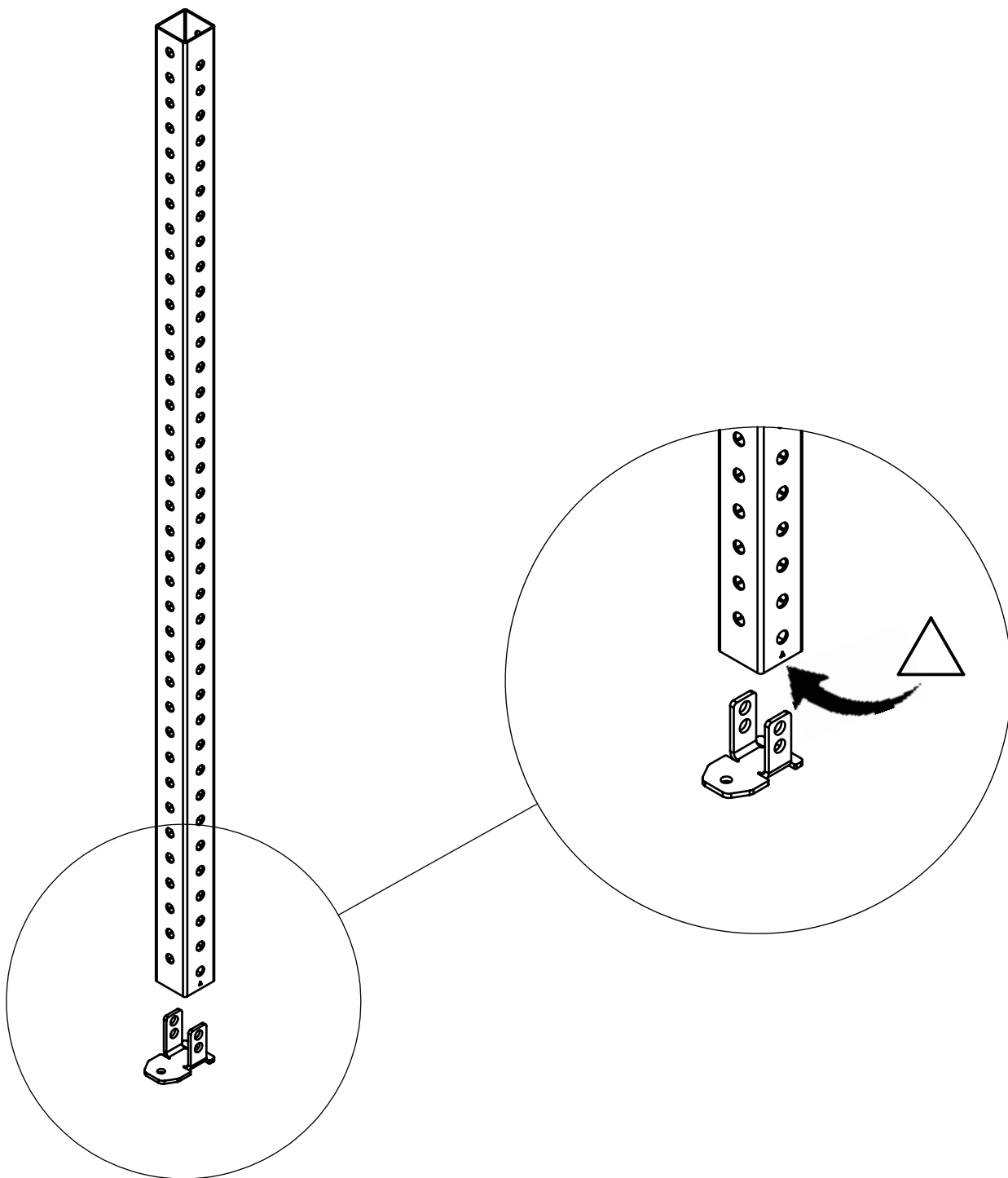


2001320

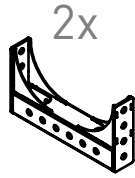
1x



2001373



2.



2001317

2x



M16x110

4x



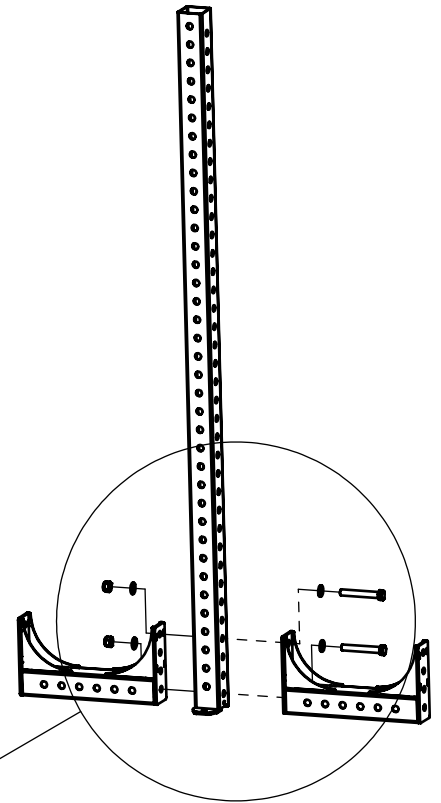
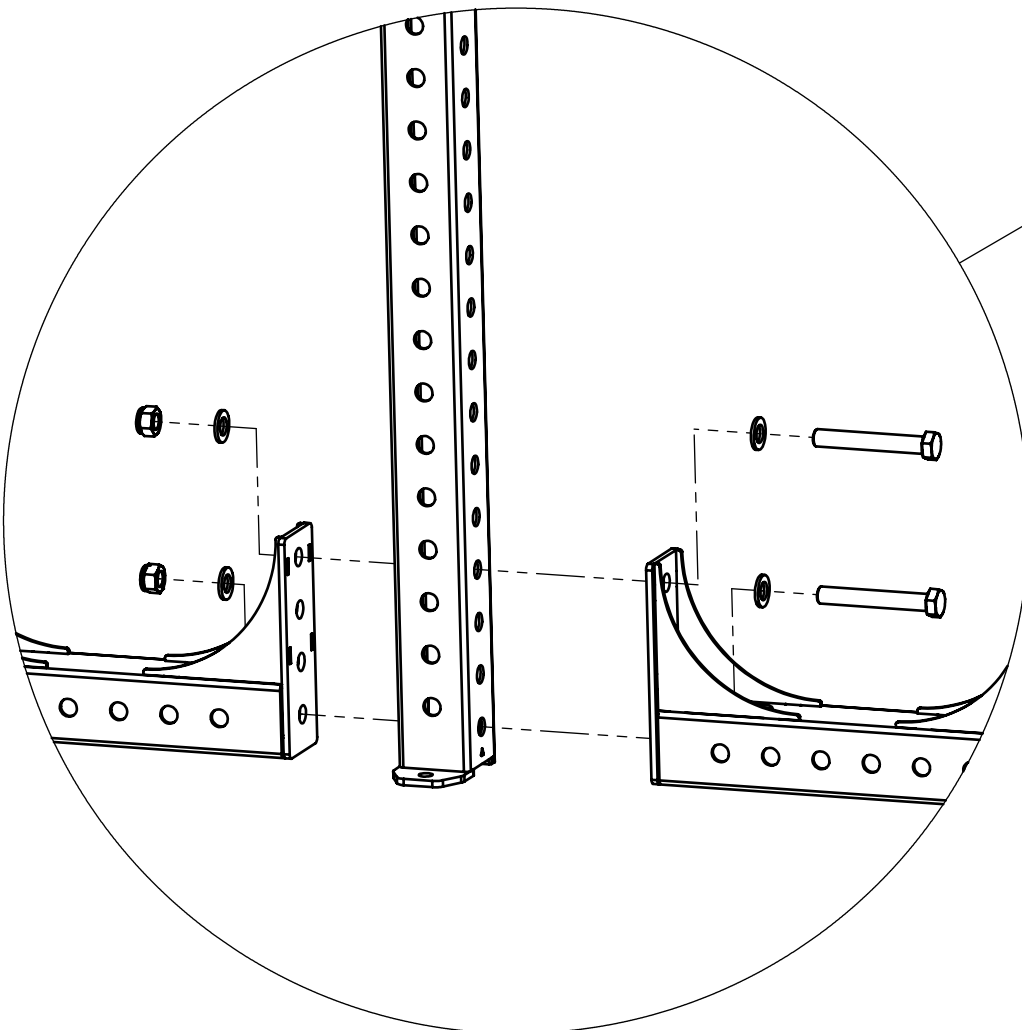
2001421

2x

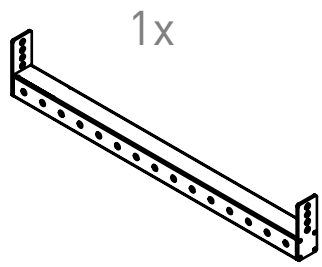


2001379

LOOSE SCREWS!



3.



2001283

2x



M16x100

4x



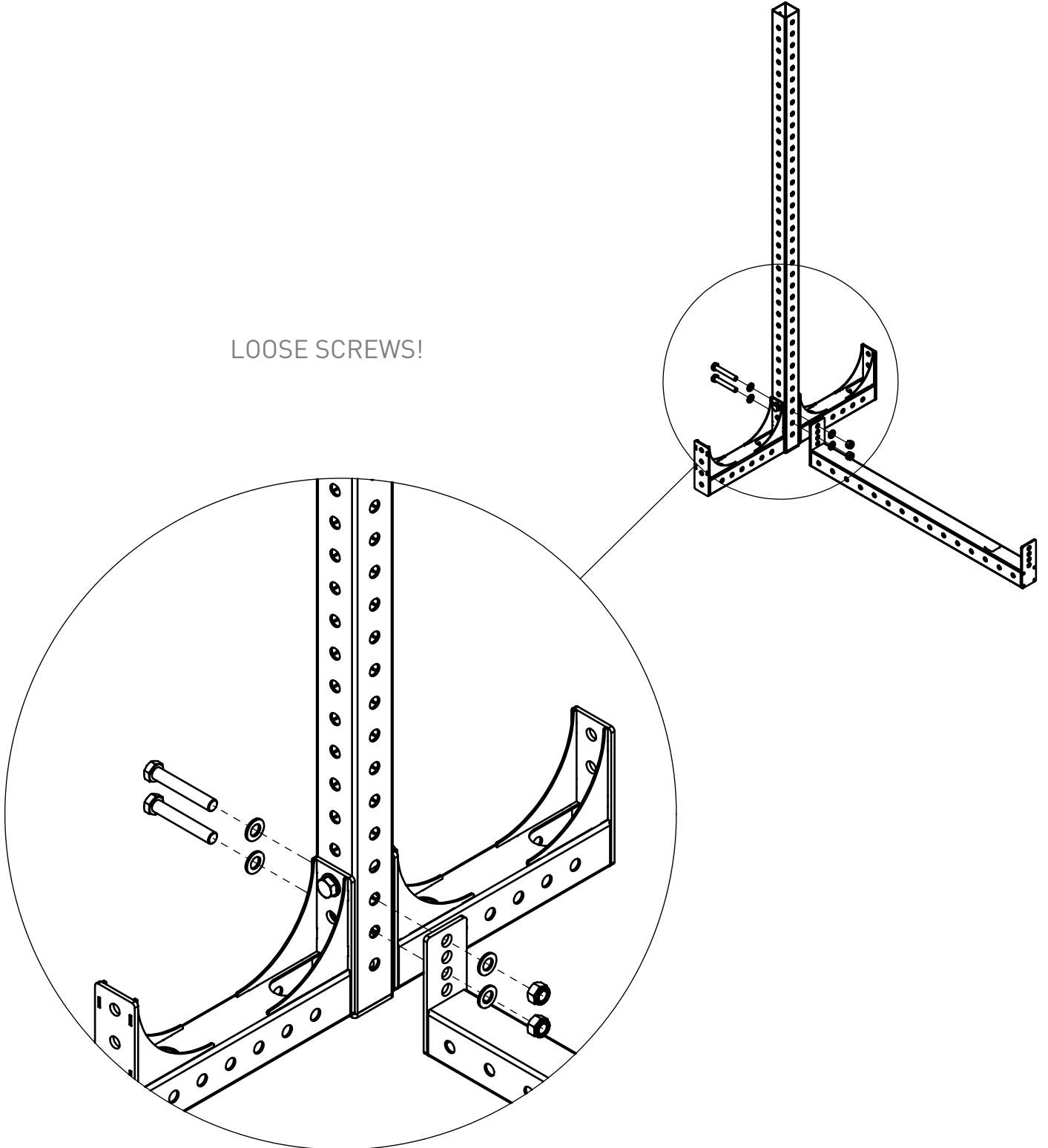
2001421

2x



2001379

LOOSE SCREWS!



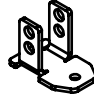
4.

1x

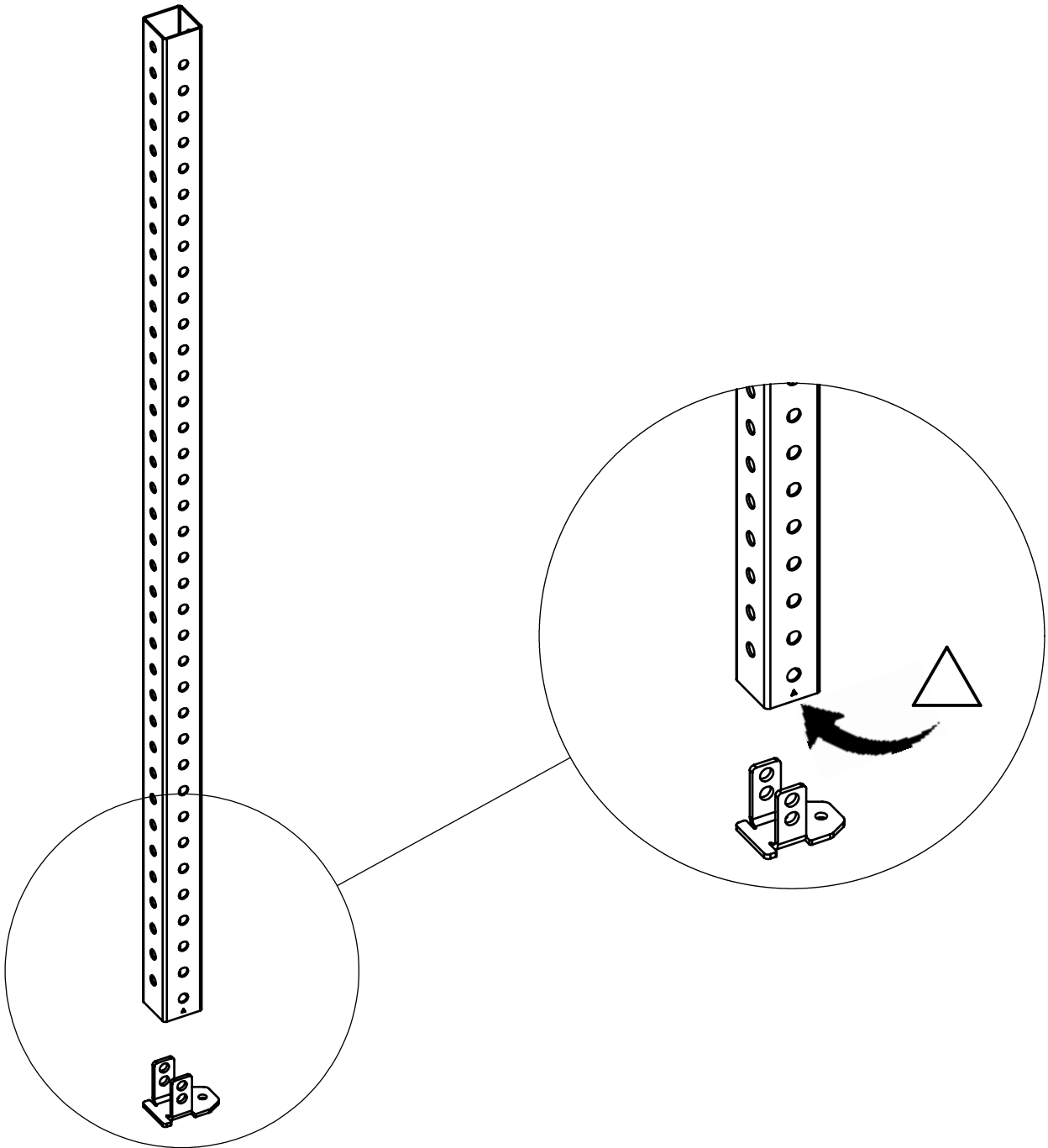


2001320

1x



2001373



5.

2x



M16x100

4x

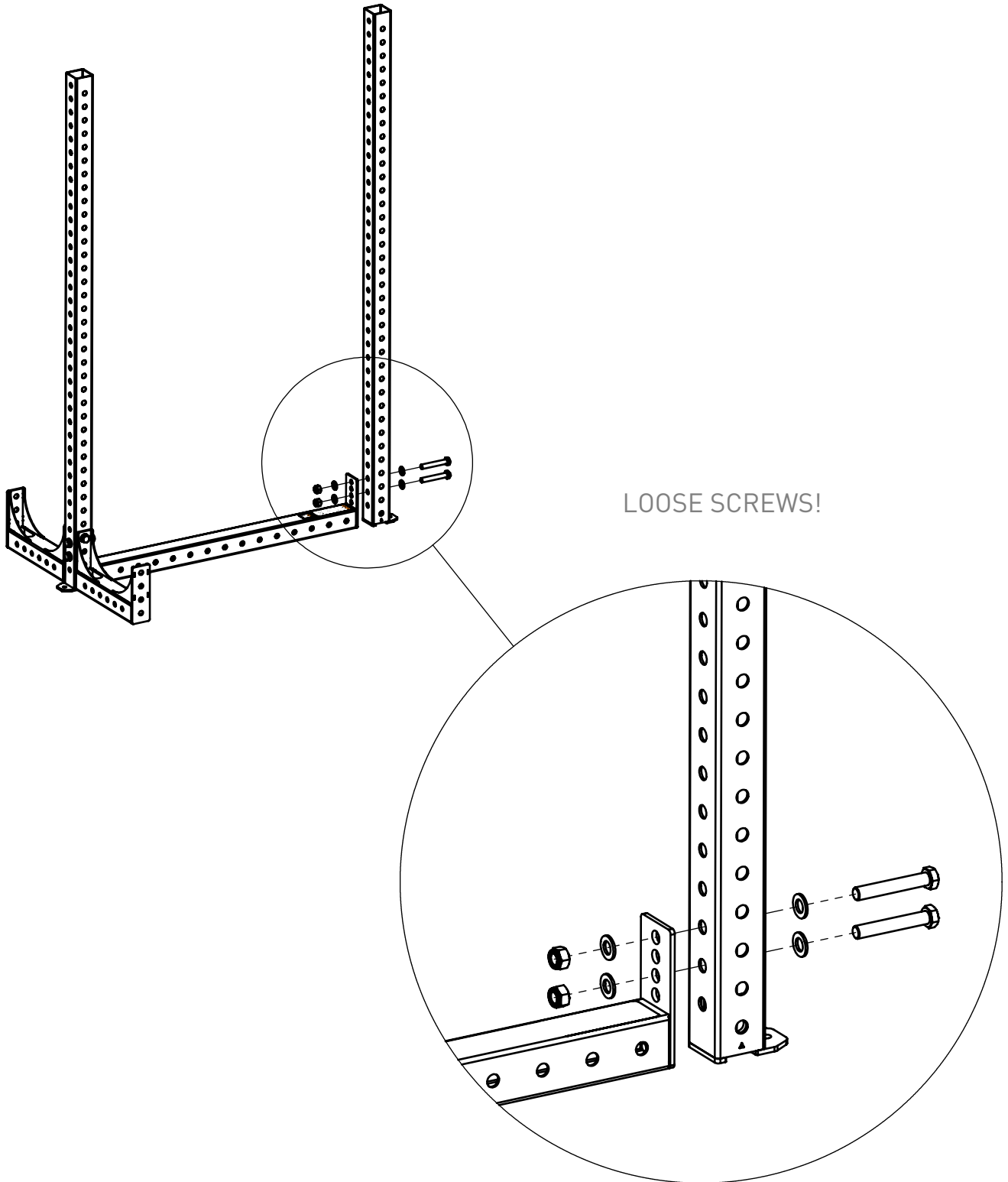


2001421

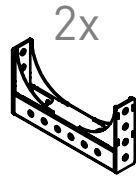
2x



2001379

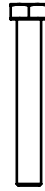


6.



2001317

2x



M16x110

4x

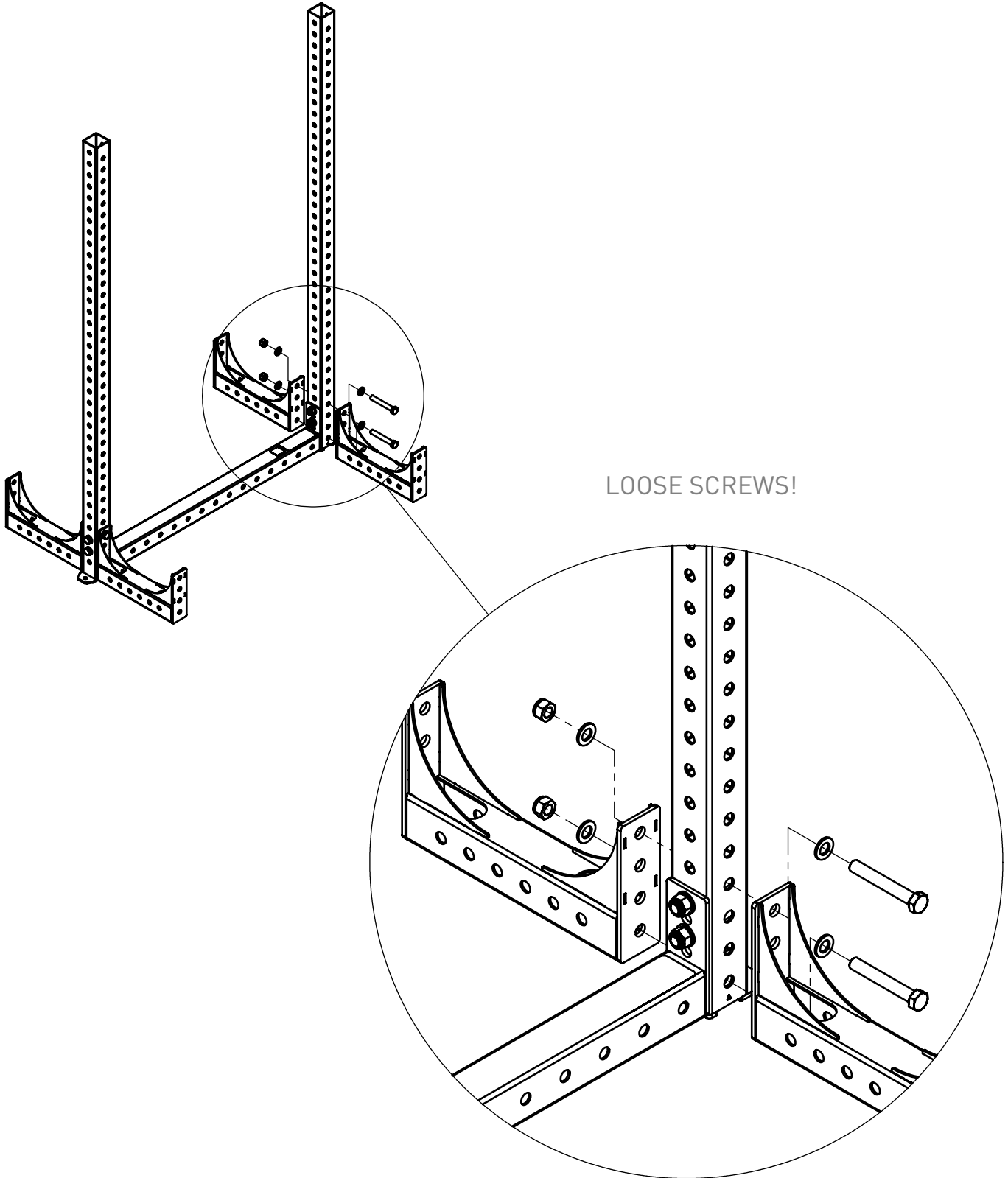


2001421

2x



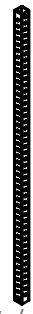
2001379



LOOSE SCREWS!

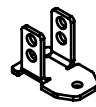
7.

2x

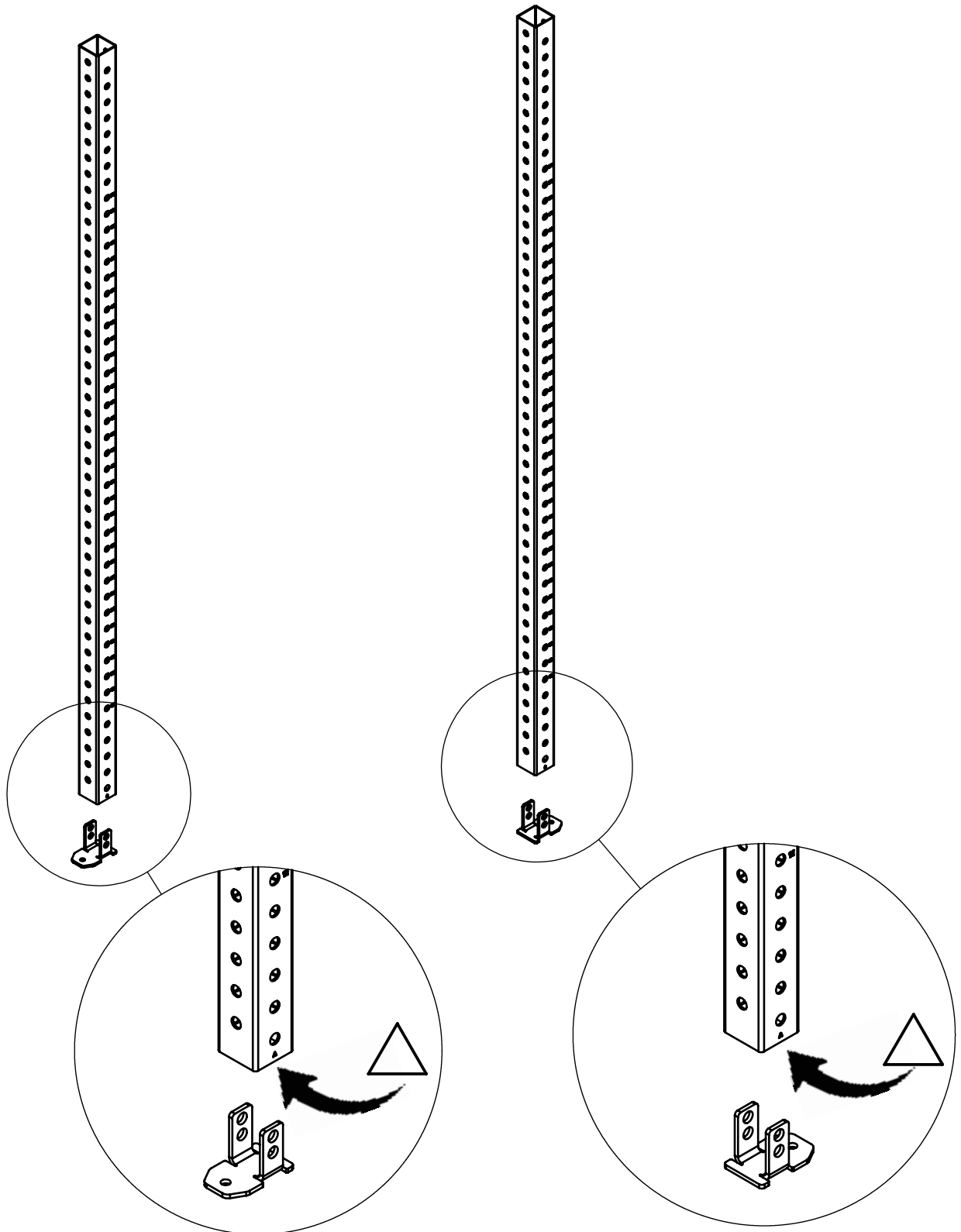


2001374 / 2001257

2x

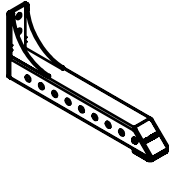


2001373



8.

2x



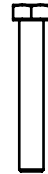
2001302

2x



M16x110

2x



M16x100

6x

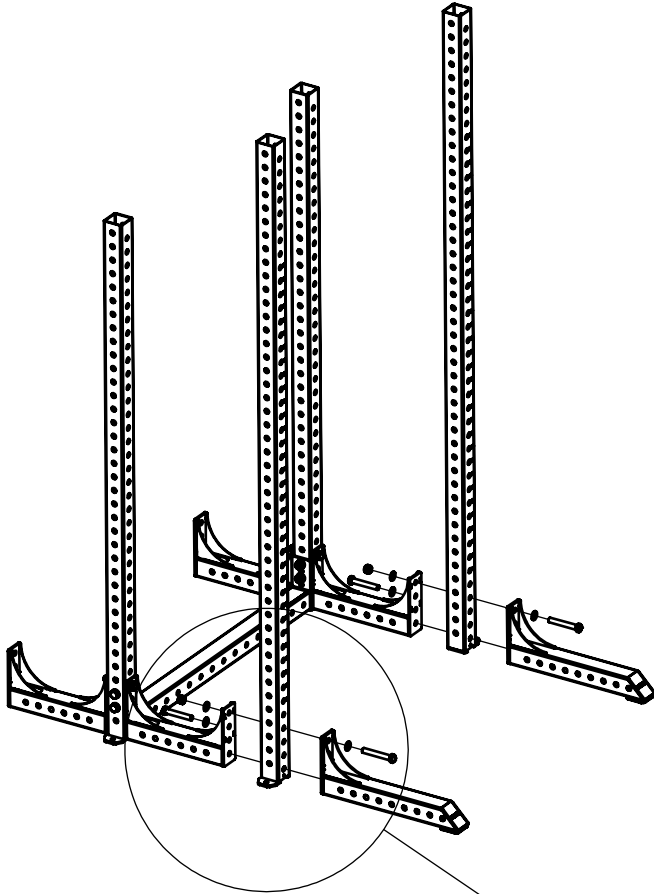


2001421

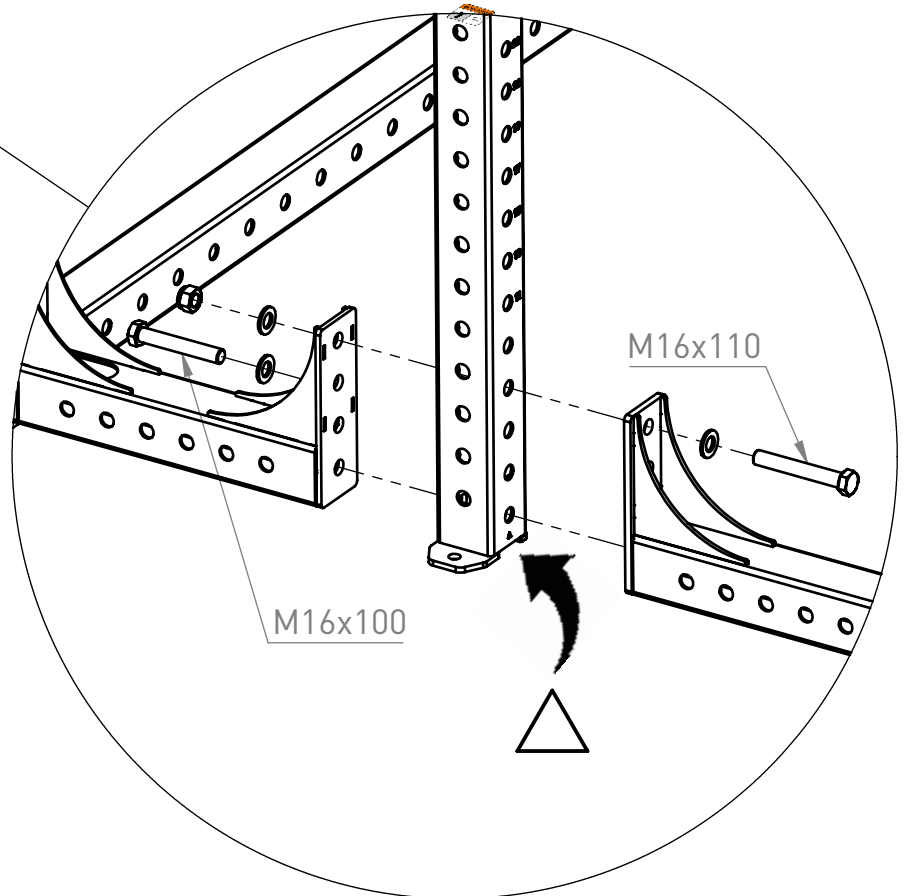
2x



2001379



LOOSE SCREWS!



9.

2x

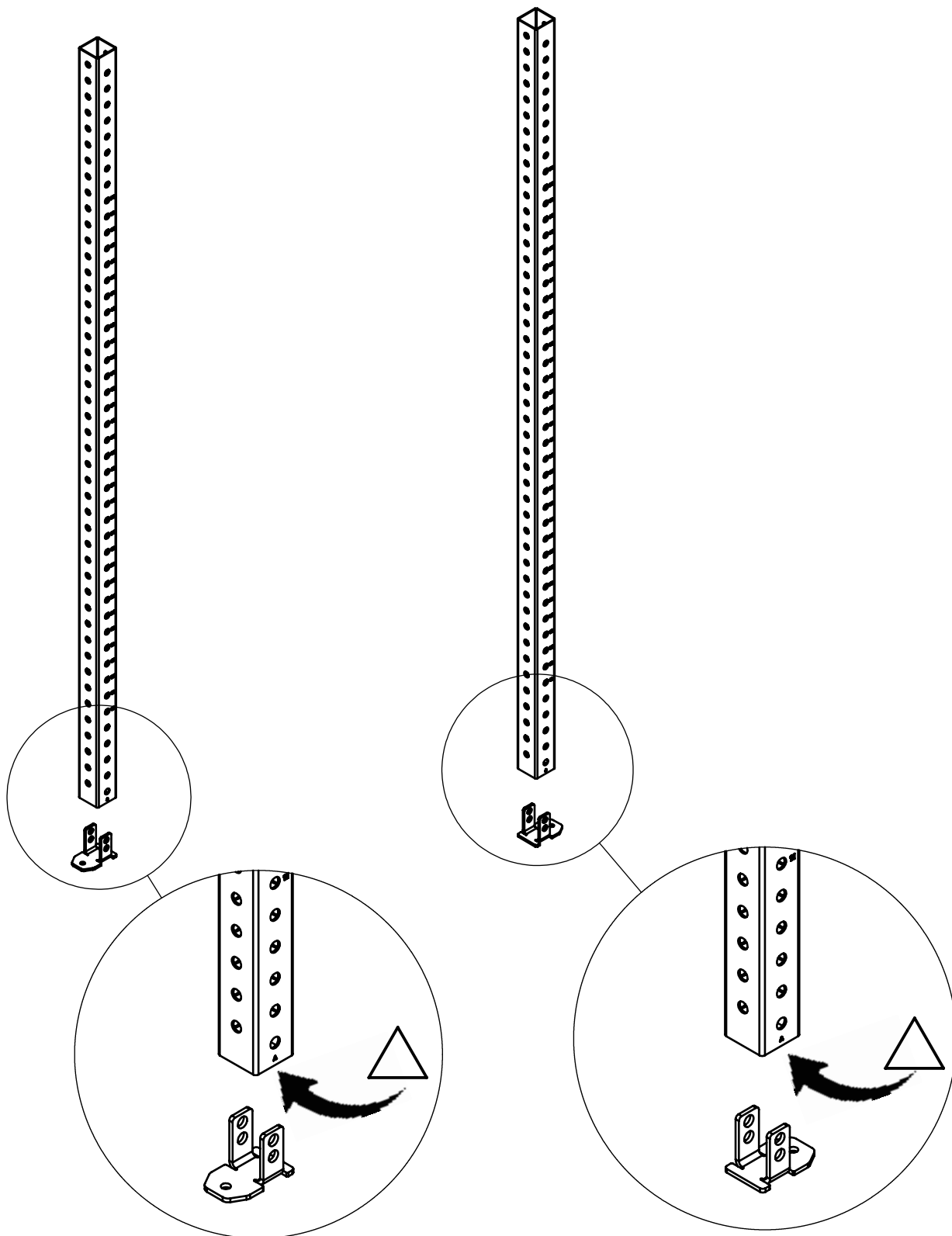


2001374 / 2001257

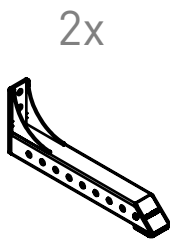
2x



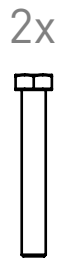
2001373



10.



2001302



M16x110



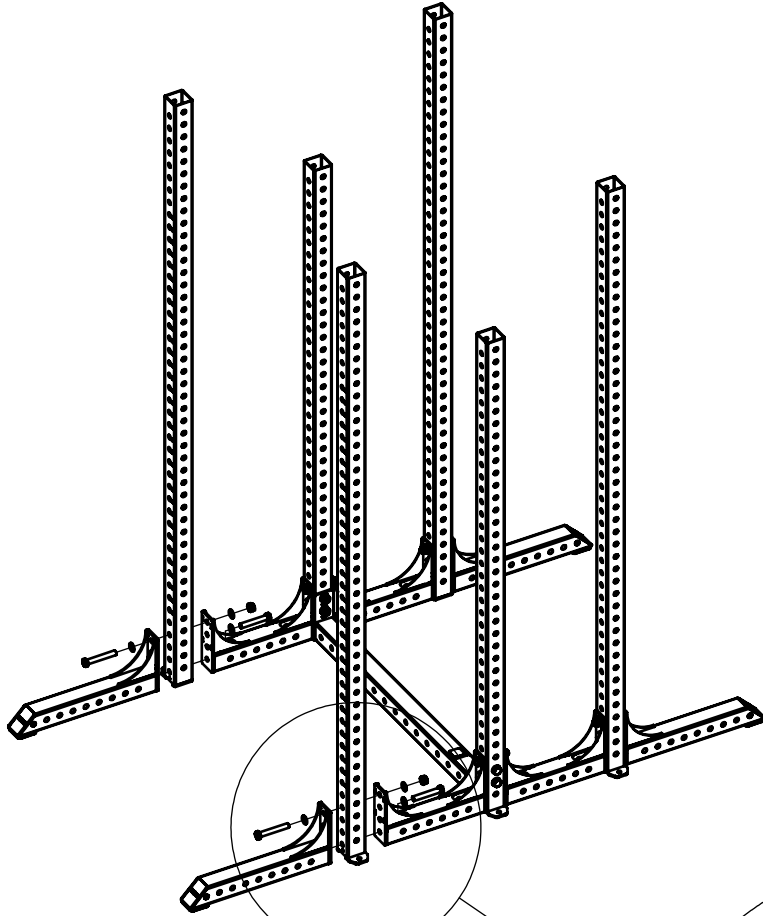
M16x100



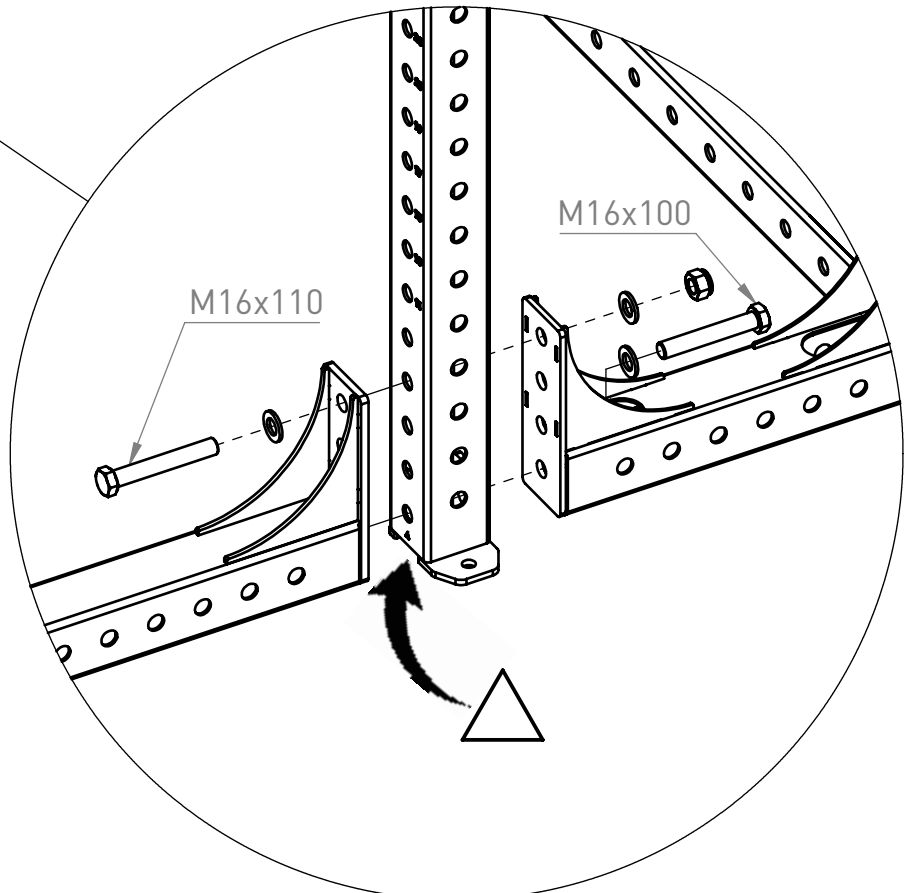
2001421



2001379

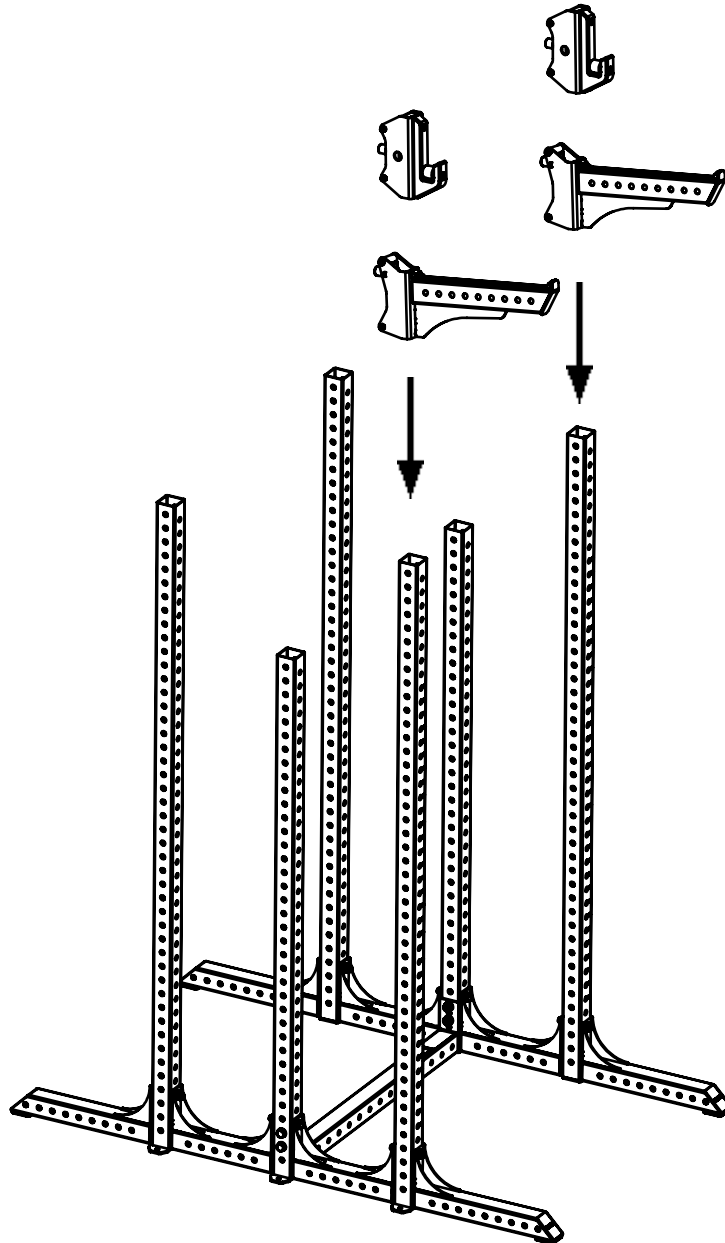


LOOSE SCREWS!

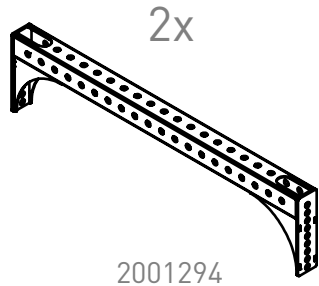


10b.

If purchased J-cups or Safety arms on sled, assemble them now.

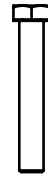


11.



2001294

8x



M16x100

16x

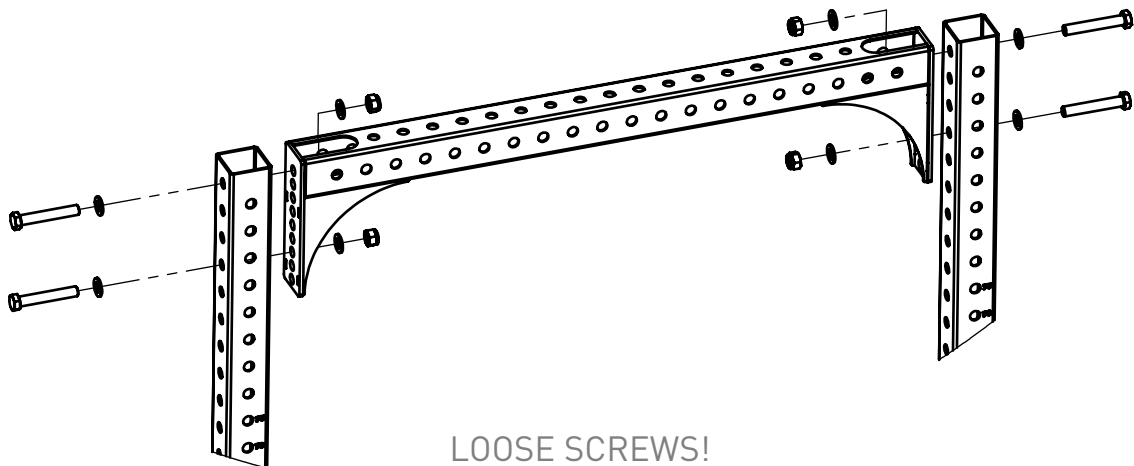
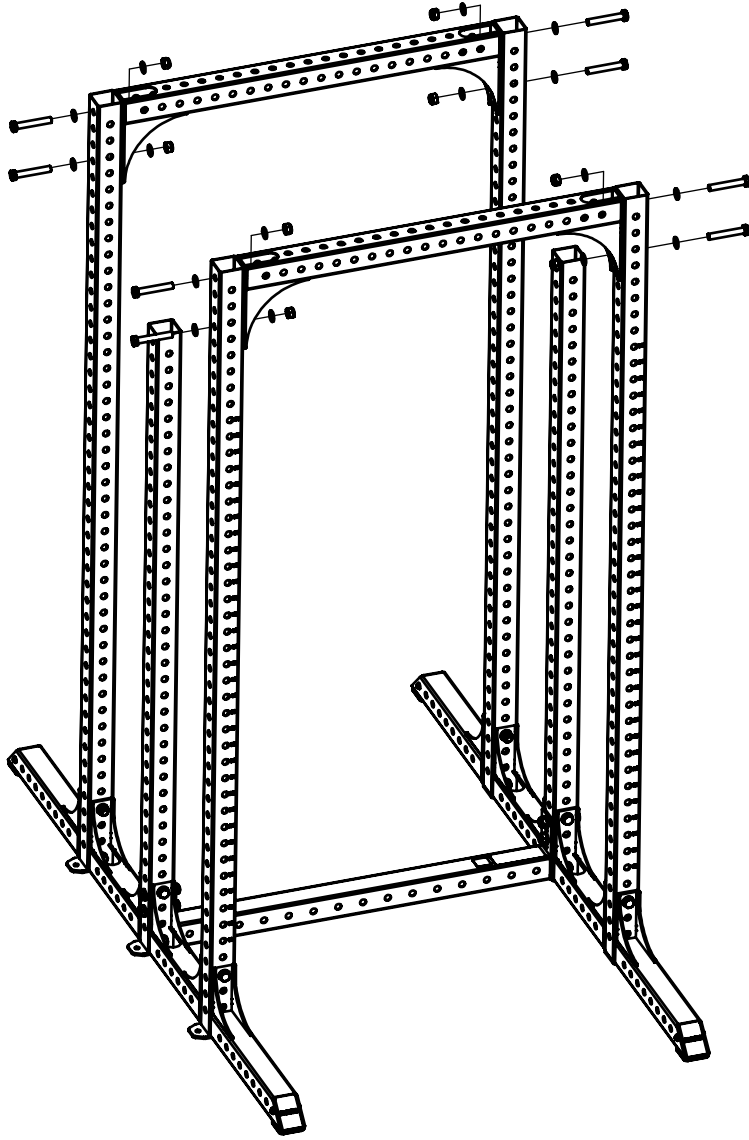


2001421

8x

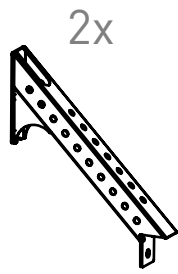


2001379



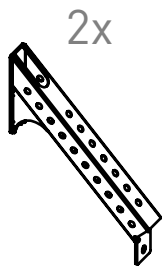
LOOSE SCREWS!

12.



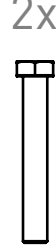
2x

2001299



2x

2001380



2x

M16x110



8x

M16x100

20x

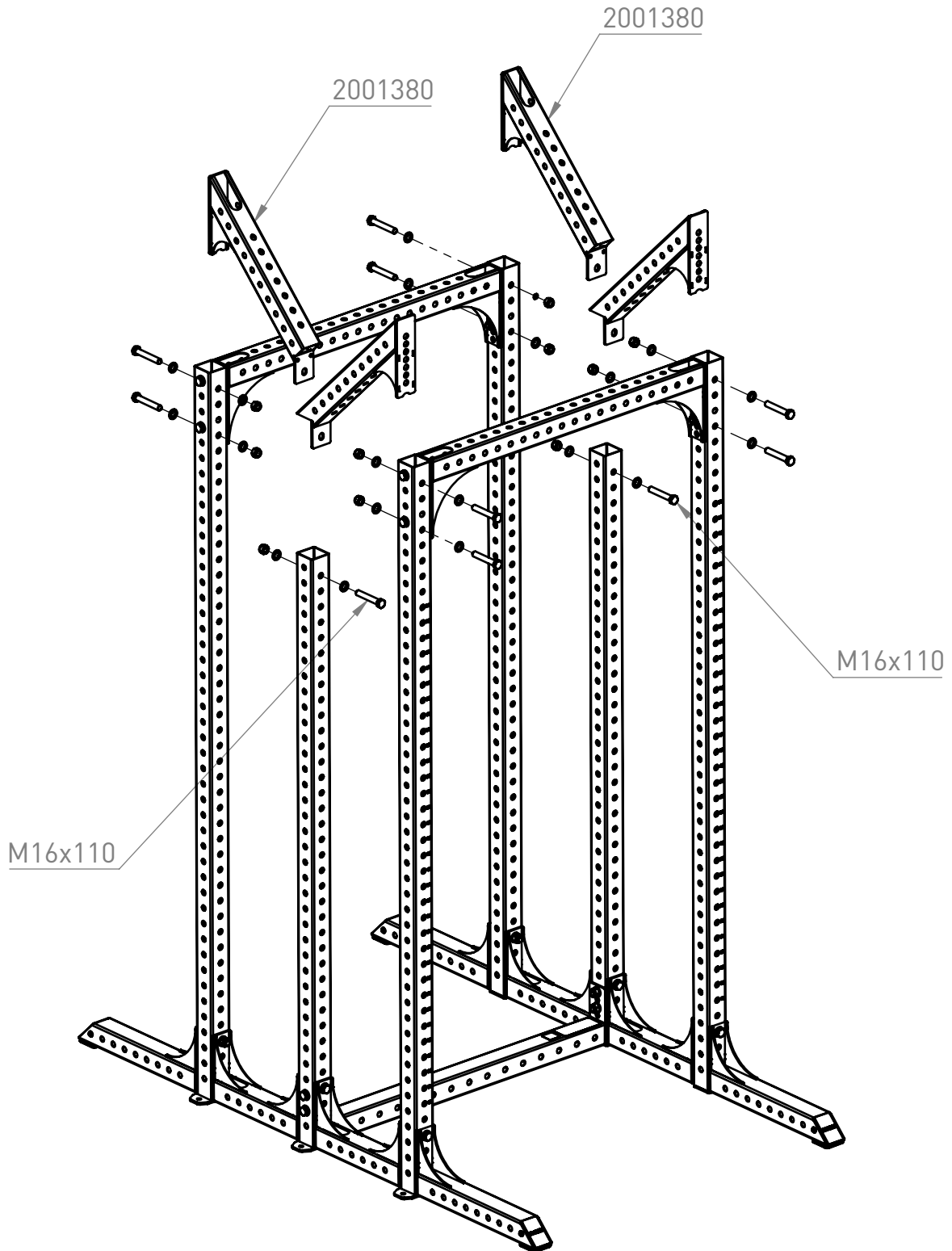


2001421

10x

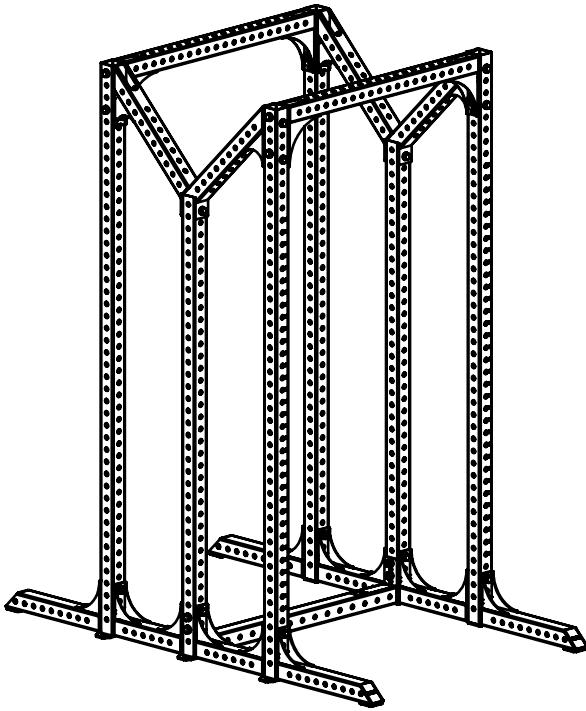


2001379

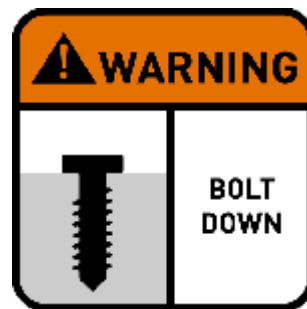
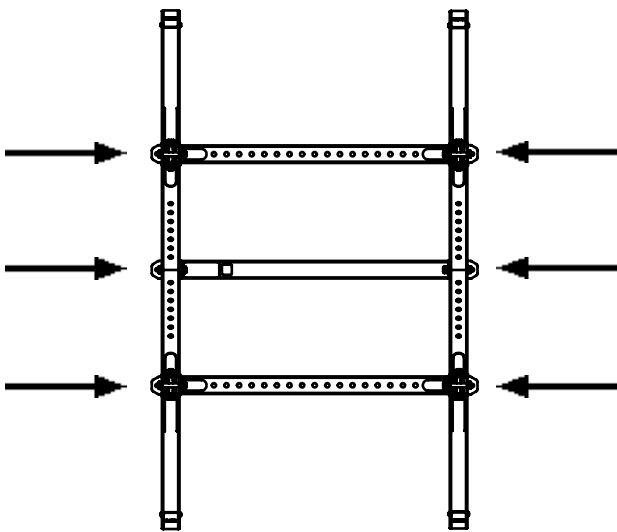


LOOSE SCREWS!

13.



TIGHTEN ALL SCREWS!
START WITH THE ONES AT THE TOP!



USER GUIDE

PURPOSE

Multi-purpose rack for squats, presses and pull ups. Possibility to add attachments for specific exercises.

GENERAL INSTRUCTIONS FOR USE

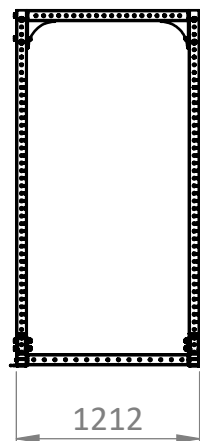
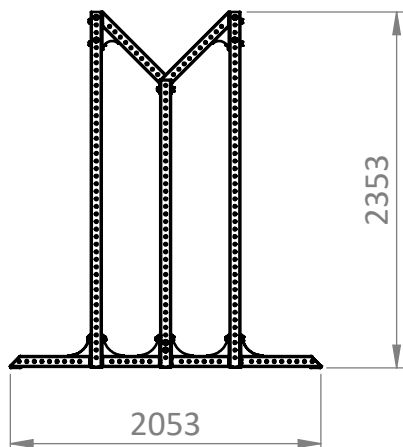
1. Add attachment for the selected exercise.
2. Follow instructions for that specific attachment.

PRODUCT SPECIFICATION

Max training weight 500 kg / 1102 lbs

Product weight 160 kg / 353 lbs

Dimensions (L x W x H) 2053 x 1212 x 2353 mm
80.8 x 47.7 x 92.6 "



CARE AND MAINTENANCE

PREVENTIVE MAINTENANCE AND INSPECTIONS

NOTE: The safety level of the equipment can only be maintained if it is examined regularly for damage and wear.

Regularly:

- Clean surfaces on the frames and tubes from dust and dirt.
- Check that all bolts between parts, walls and floors are properly tightened, according to recommendations.
- Check equipment for sharp edges. Replace parts with sharp edges.

See also www.eleiko.com.

SPARE PARTS AND SERVICE

Contact Eleiko for spare parts and service:

Eleiko Group AB | Klastorpsvägen 18 | SE-302 62 HALMSTAD | Sweden

E-mail: info@eleiko.com | Phone: +46 35 17 70 70

WARRANTY

All products manufactured by ELEIKO are warranted to the original purchaser to be free from defects in workmanship and / or materials under normal use or service as follows:

- 10 years on structural frame welds (NOT on moving parts)

Normal wear and tear do not fall under the 10-year warranty.

ELEIKO

Eleiko Group AB | Klastorpsvägen 18 | SE-302 62 HALMSTAD | Sweden
E-mail: info@eleiko.com | Phone: +46 35 17 70 70

www.eleiko.com