

GORILLA SPORTS

ADJUSTABLE BENCH (100858)

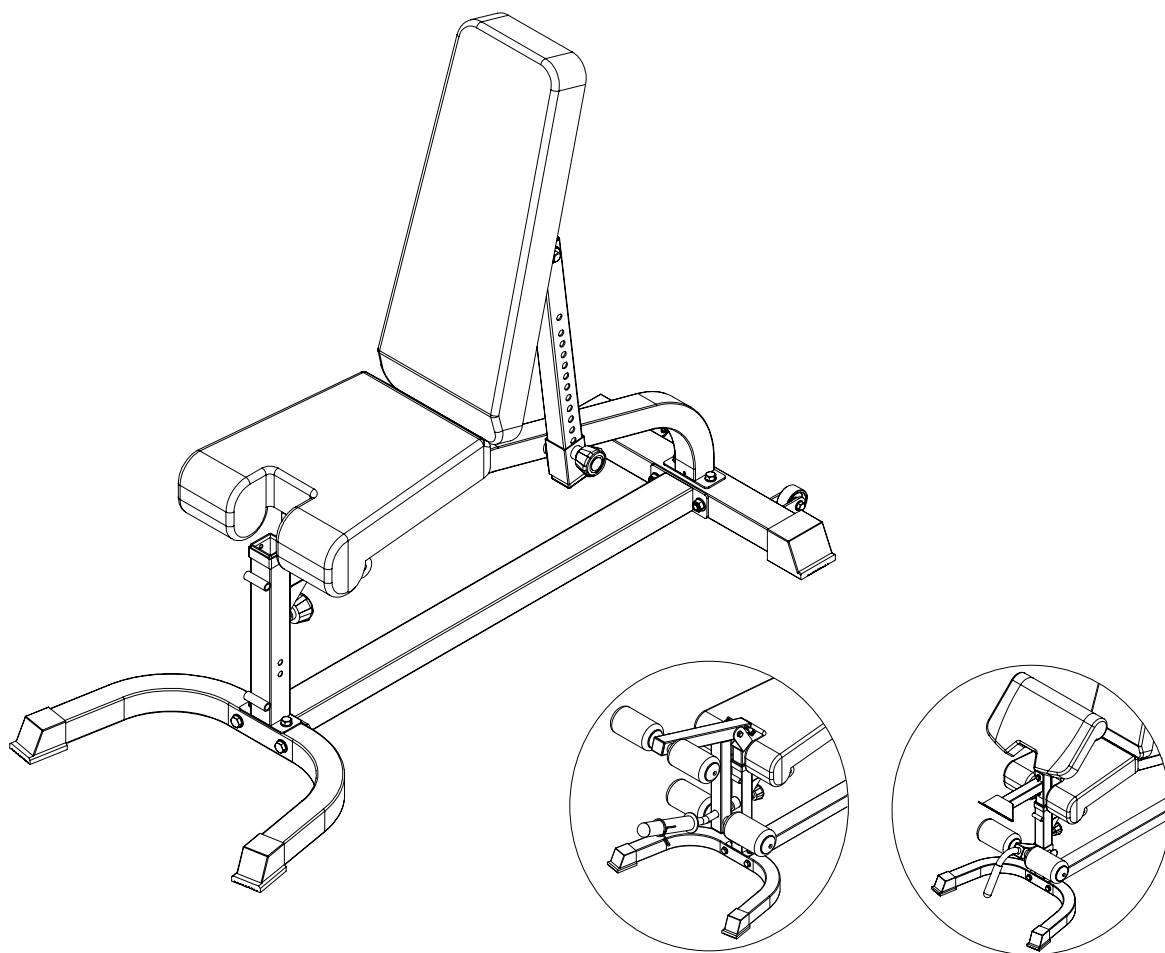


Table of Contents

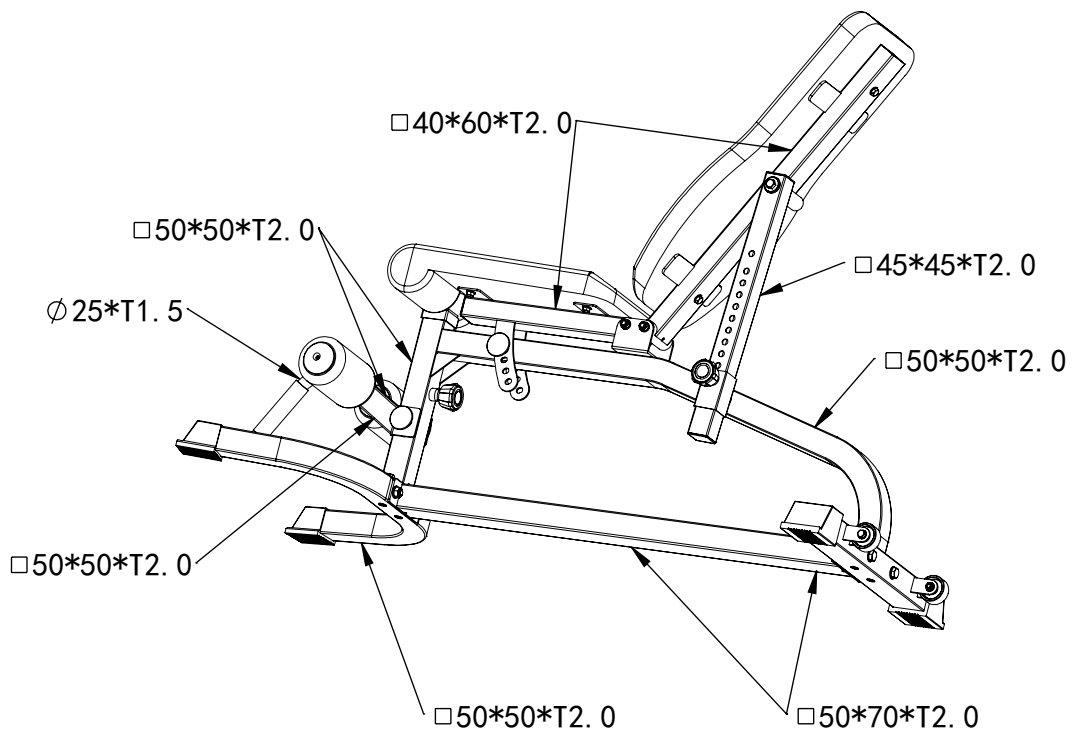
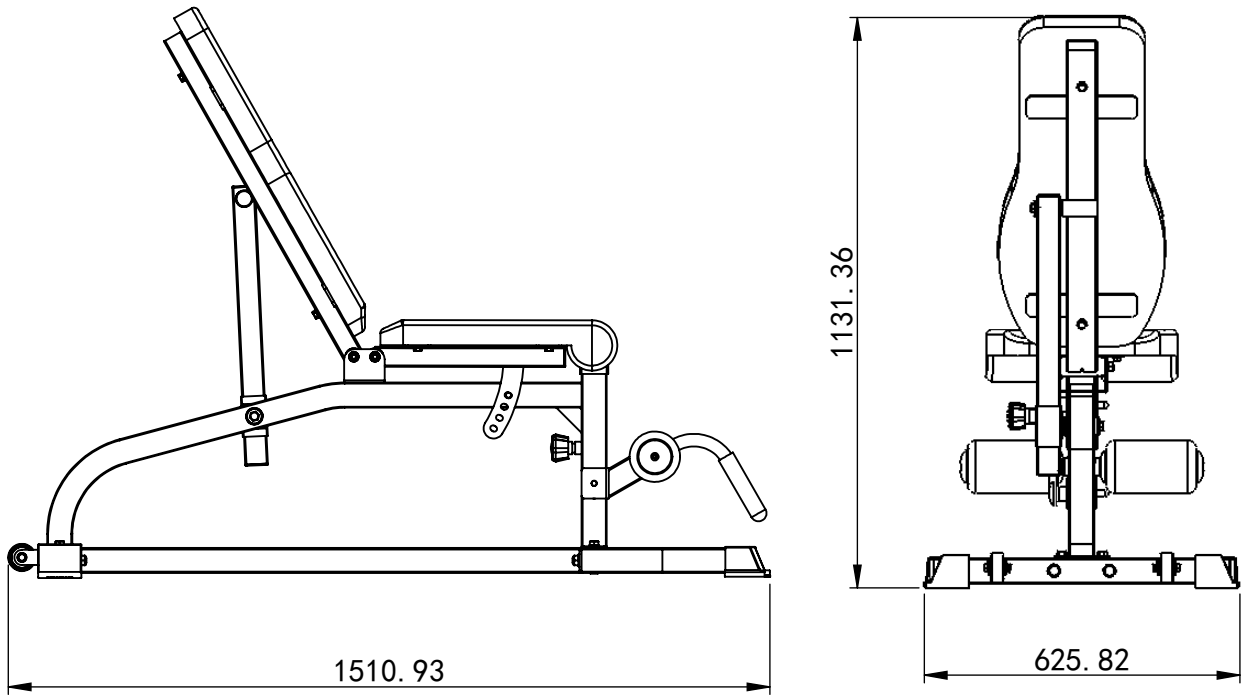


GORILLA SPORTS

PROFESSIONAL GYM EQUIPMENT FOR EVERYONE

Parametric Diagram.....	3
Product load-bearing instructions.....	4
Spare parts list	5
Fasteners drawing	6
Assembly step(1).....	7
Assembly step(2).....	8
Assembly step(3).....	9
Assembly step(4).....	10
Assembly step(5).....	11

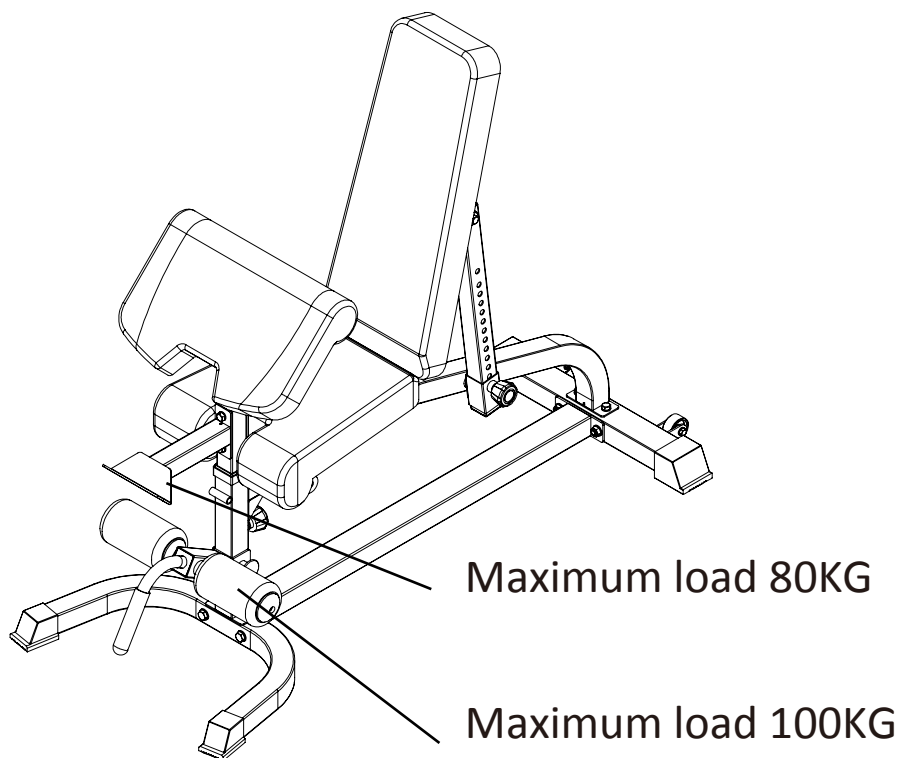
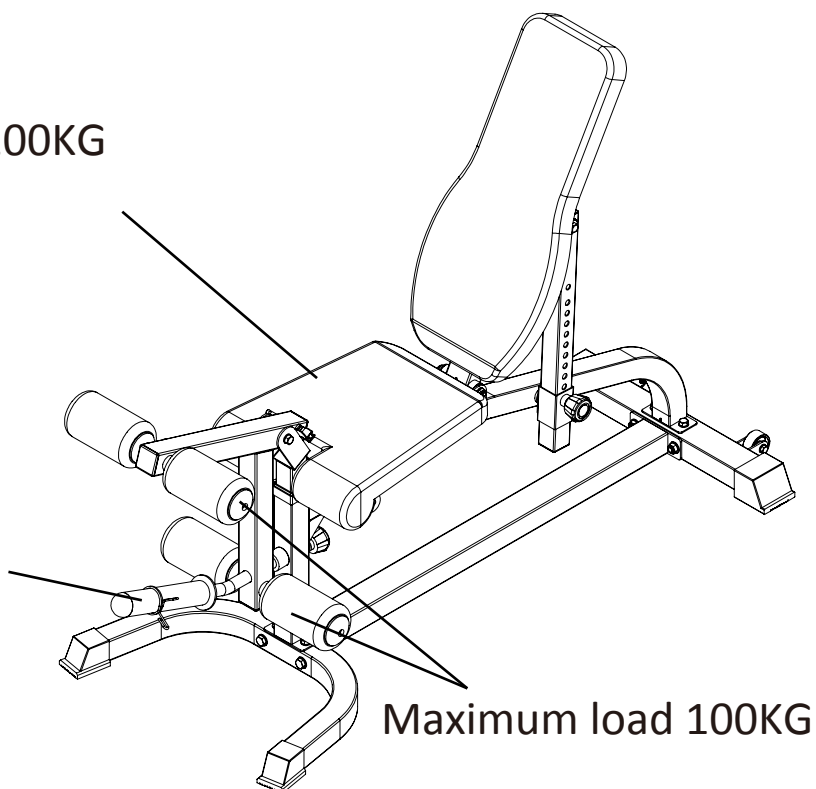
Parametric Diagram



Product load-bearing instructions

Maximum load 200KG

Maximum load 120KG



Spare parts list



GORILLA SPORTS

PROFESSIONAL GYM EQUIPMENT FOR EVERYONE

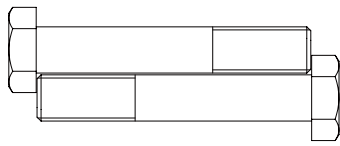
No.	Description	Note	Qty.
1	middle ground frame		1
2	front bending base frame		1
3	back ground frame		1
4	bending frame		1
5	hexagon bolt	M12*70	2
6	washer	Φ12	8
7	hexagon bolt	M10*20	8
8	washer	Φ10	14
9	lock nut	M12	4
10	hexagon bolt	M12*90	2
11	back cushion tube		1
12	back cushion adjusted tube		1
13	back cushion rotating sleeve		1
14	big washer	Φ30*Φ10.5*3.0	2
15	shaft	Φ12*128	2
16	seat cushion tube		1
17	lock nut	M10	6
18	magnetic pin	L=80mm	2
19	seat cushion		1
20	back cushion		1
21	hexagon bolt	M8*55	2
22	washer	Φ8	8
23	hexagon bolt	M8*25	6
24	upright frame		1
25	leg extension tube		1
26	shaft	Φ20*57	1
27	pin	L=85mm	1
28	sponge tube		3
29	sponge inner cap		6
30	sponge outer cap		6
31	sponge		6
32	hexagon socket button head bolt	M8*25	6
33	spring collar		1
34	handle tube		1
35	chest cushion tube		1
36	chest cushion		1
37	barbell support tube		1
38	link plate	t4.0*120*45	1
39	hexagon bolt	M10*65	2
40	locking spring knob		1

Fasteners drawing

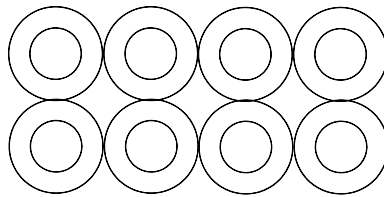


GORILLA SPORTS

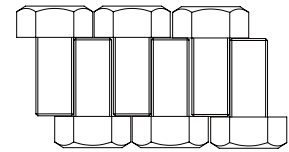
PROFESSIONAL GYM EQUIPMENT FOR EVERYONE



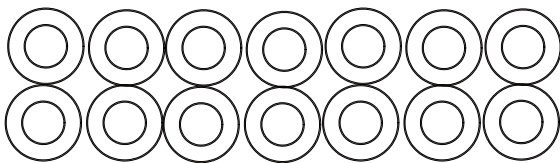
M12*70 2PCS(5)



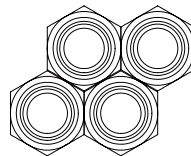
Φ12 8PCS(6)



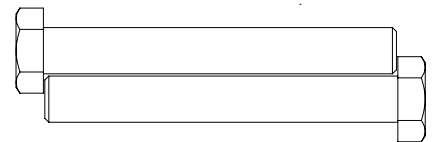
M12*20 8PCS(7)



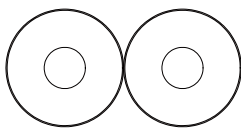
Φ10 14PCS(8)



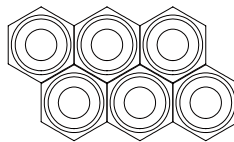
M12 4PCS(9)



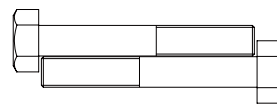
M12*90 2PCS(10)



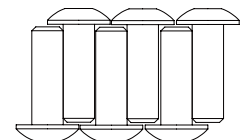
Φ30*Φ10.5*3.0 2PCS(14)



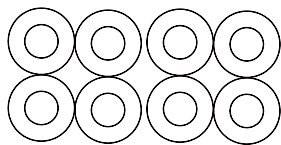
M10 6PCS(17)



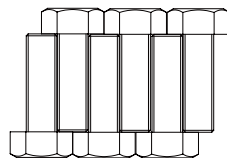
M8*55 2PCS(21)



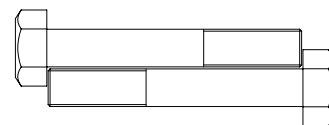
M8*25 6PCS(32)



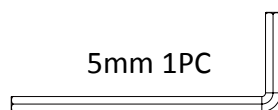
Φ8 8PCS(22)



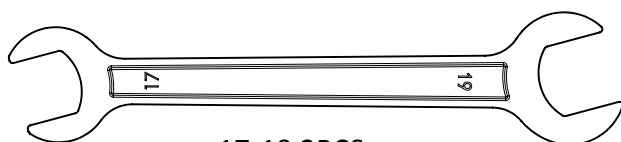
M8*25 6PCS(23)



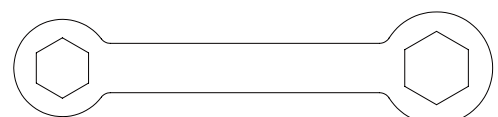
M10*65 2PCS(39)



5mm 1PC

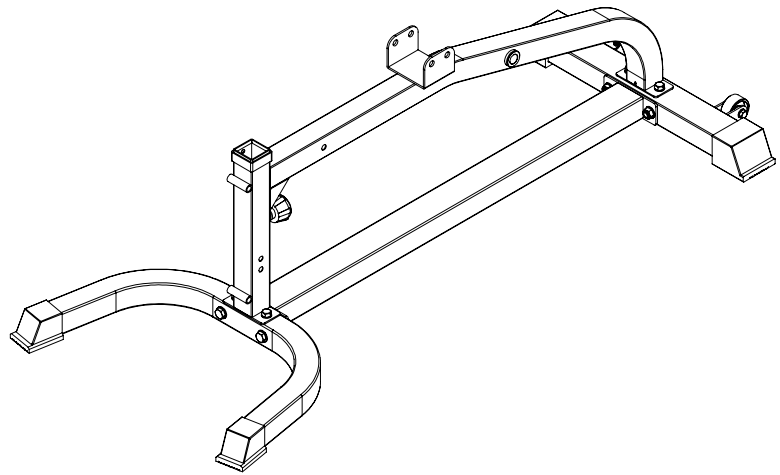
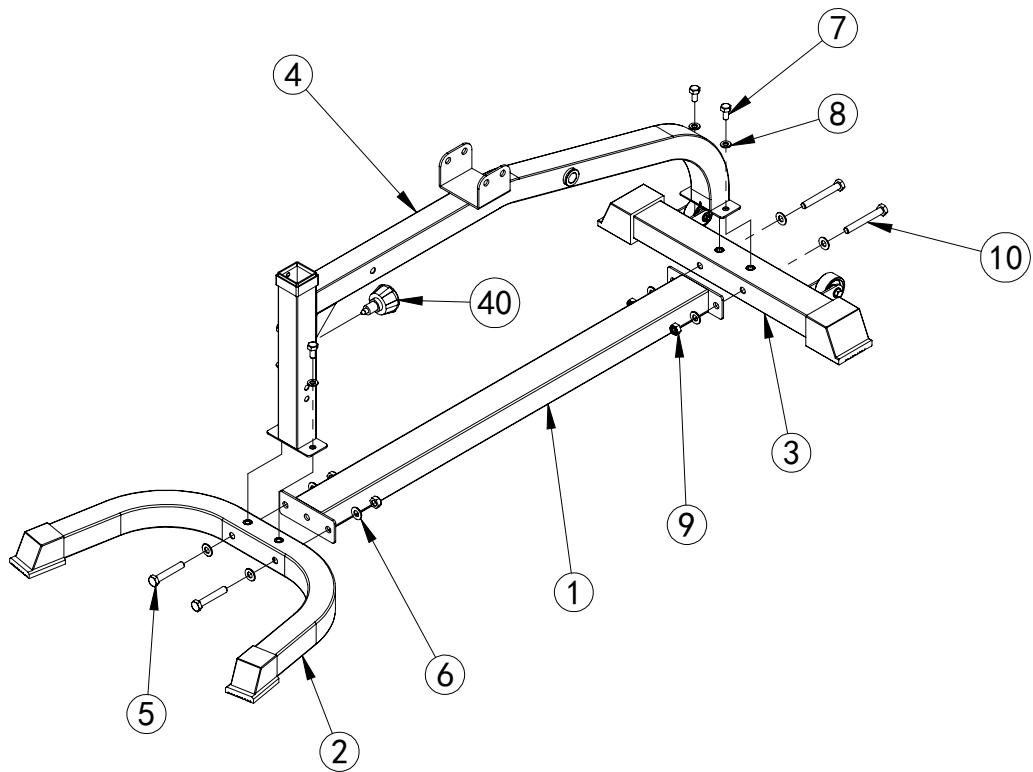


17-19 2PCS



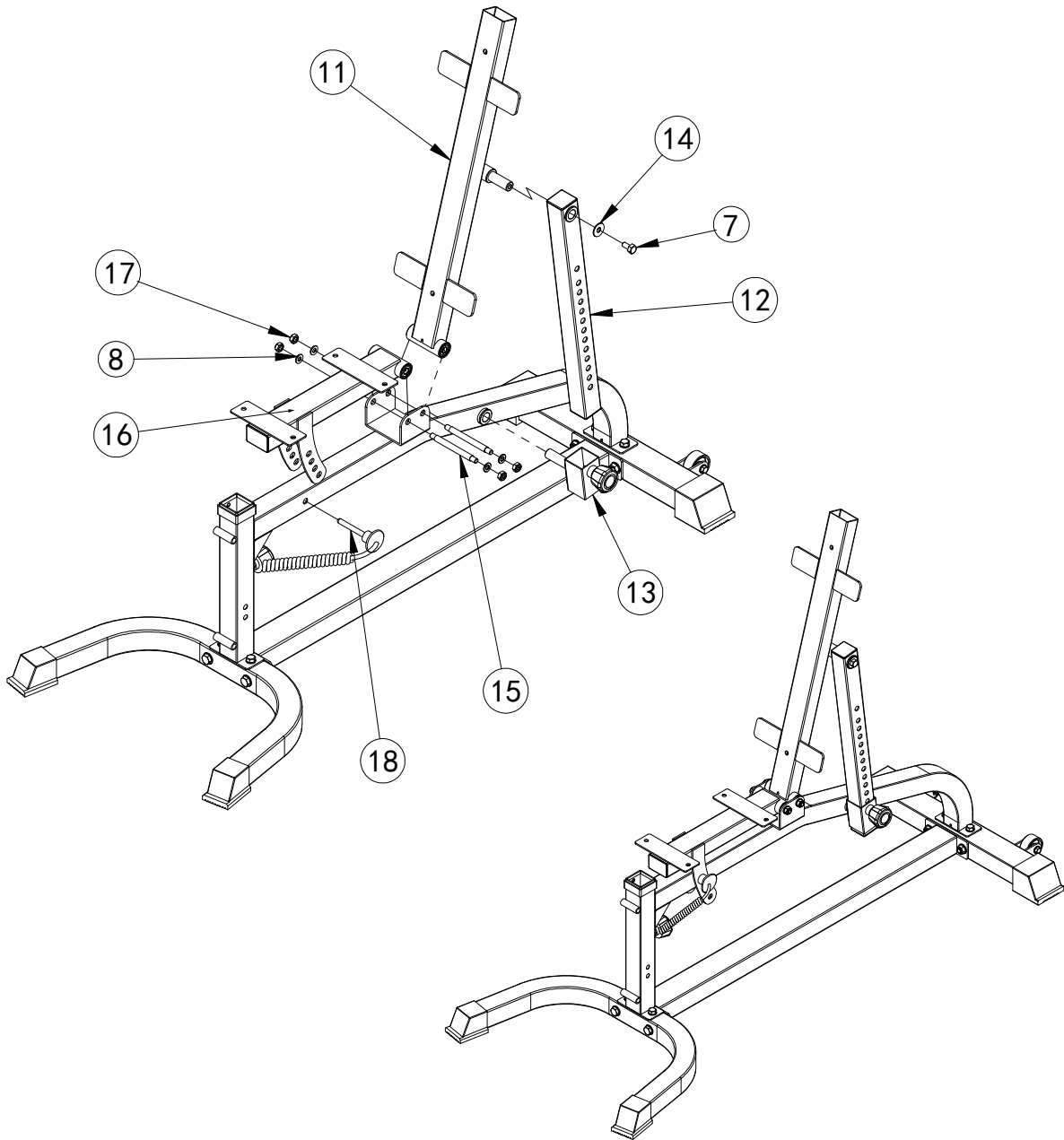
14-17 1PC

Assembly step (1) explosion drawing



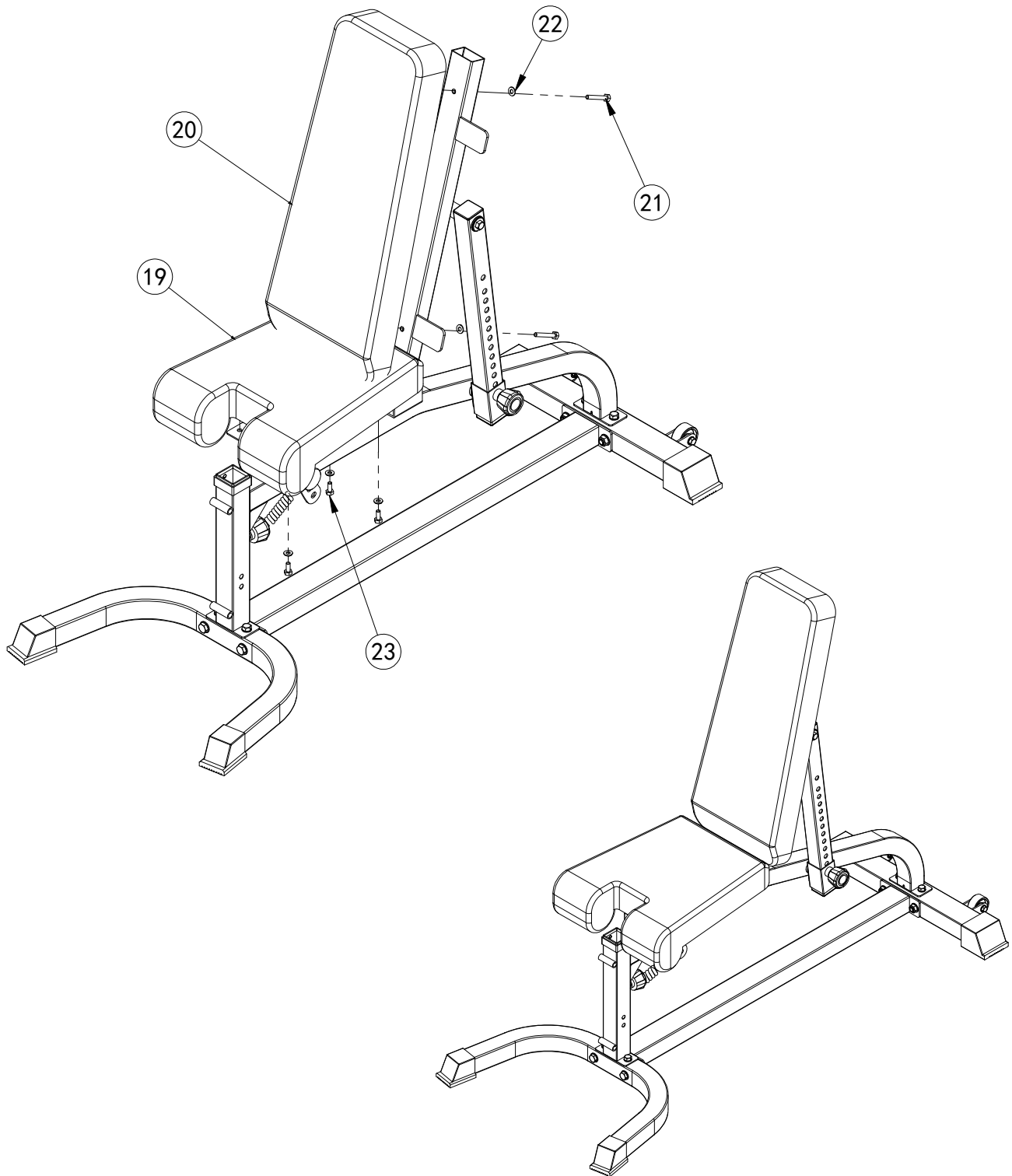
No.	Description	Note	Qty.
1	middle ground frame		1
2	front bending base frame		1
3	back ground frame		1
4	bending frame		1
5	hexagon bolt	M12*70	2
6	washer	Φ12	8
7	hexagon bolt	M10*20	4
8	washer	Φ10	4
9	lock nut	M12	4
10	hexagon bolt	M12*90	2
40	locking spring knob		1

Assembly step (2) explosion drawing



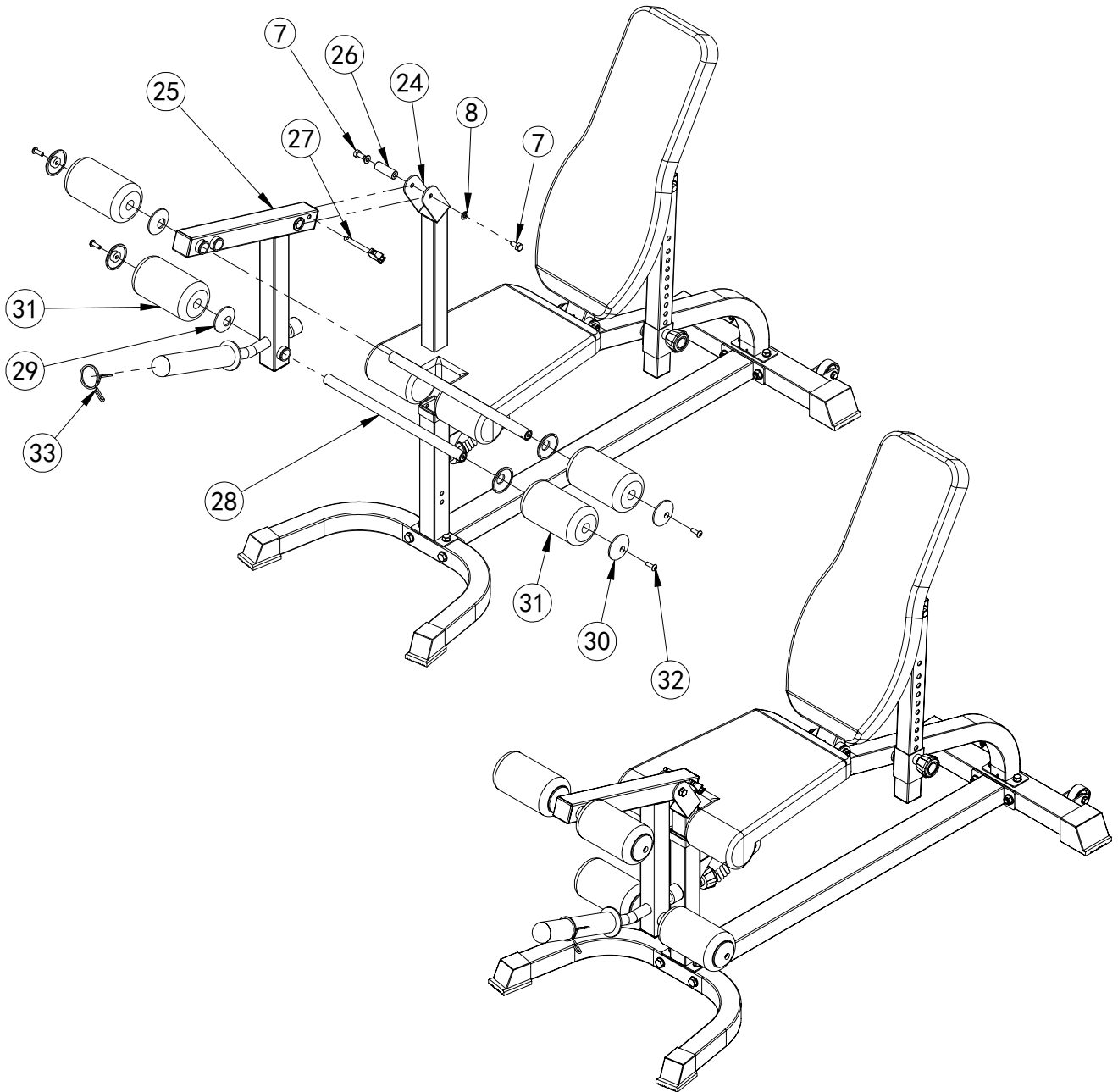
No.	Description	Note	Qty.
	assembly step 1		
7	hexagon bolt	M10*20	2
8	washer	Φ10	4
11	back cushion tube		1
12	back cushion adjusted tube		1
13	back cushion rotating sleeve		1
14	big washer	Φ30*Φ10.5*3.0	2
15	shaft	Φ12*128	2
16	seat cushion tube		1
17	lock nut	M10	4
18	magnetic pin	L=80mm	1

Assembly step (3) explosion drawing



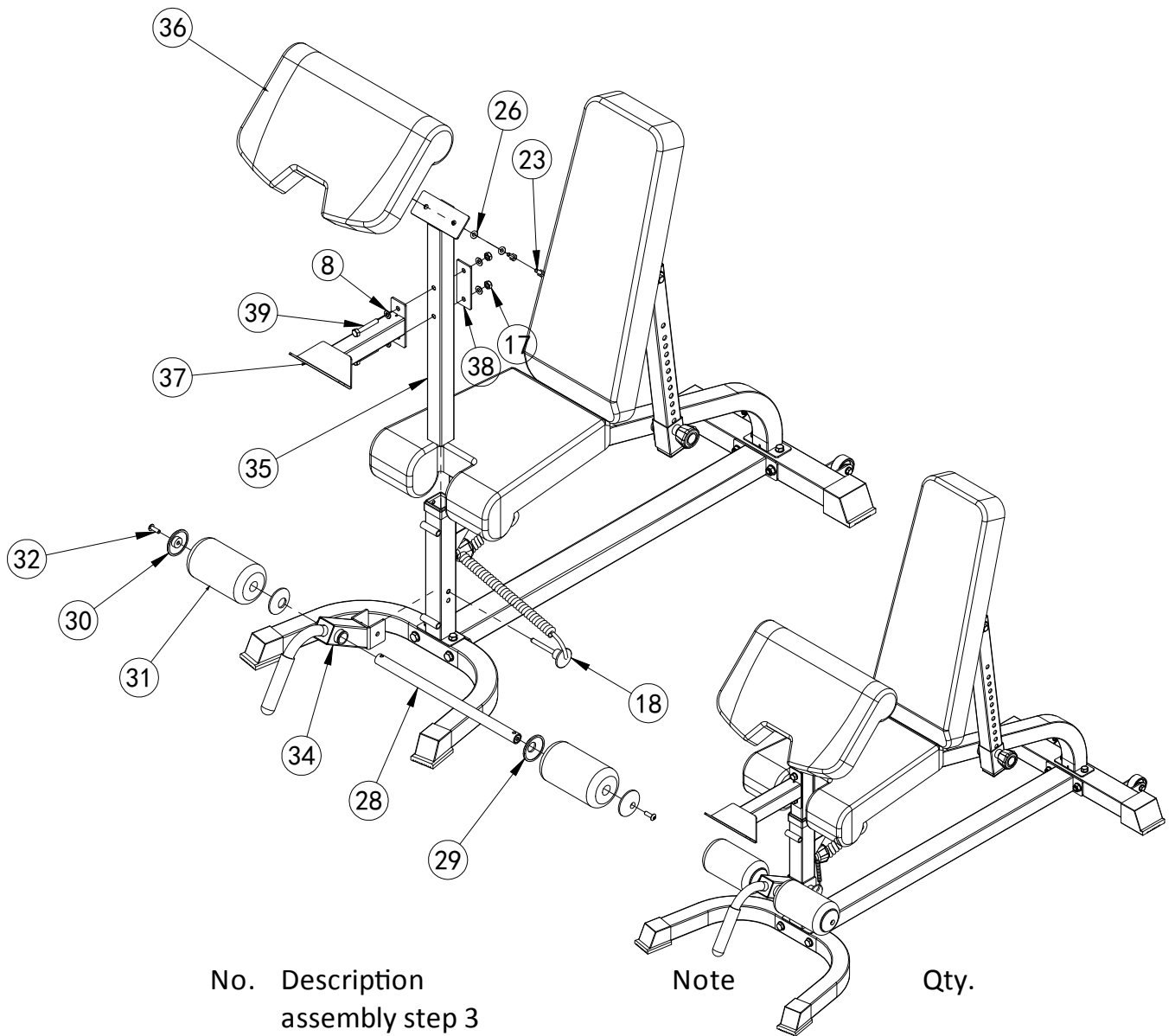
No.	Description	Note	Qty.
	assembly step 2		
19	seat cushion		1
20	back cushion		1
21	hexagon bolt	M8*55	2
22	washer	Φ8	6
23	hexagon bolt	M8*25	4

Assembly step (4) explosion drawing



No.	Description	Note	Qty.
	assembly step 3		
8	washer	Φ10	2
7	hexagon bolt	M10*20	2
24	upright frame		1
25	leg extension tube		1
26	shaft	Φ20*57	1
27	pin	L=85mm	1
28	sponge tube		2
29	sponge inner cap		4
30	sponge outer cap		4
31	sponge		4
32	hexagon socket button head	M8*25	4
33	spring collar		1

Assembly step (5) explosion drawing



No.	Description	Note	Qty.
	assembly step 3		
8	washer	Φ10	4
17	lock nut	M10	2
18	magnetic pin	L=80mm	1
22	washer	Φ8	2
23	hexagon bolt	M8*25	2
28	sponge tube		1
29	sponge inner cap		2
30	sponge outer cap		2
31	sponge		2
32	hexagon socket button head	M8*25	2
34	handle tube		1
35	chest cushion tube		1
36	chest cushion		1
37	barbell support tube		1
38	link plate	t4.0*120*45	1
39	hexagon bolt	M10*65	2