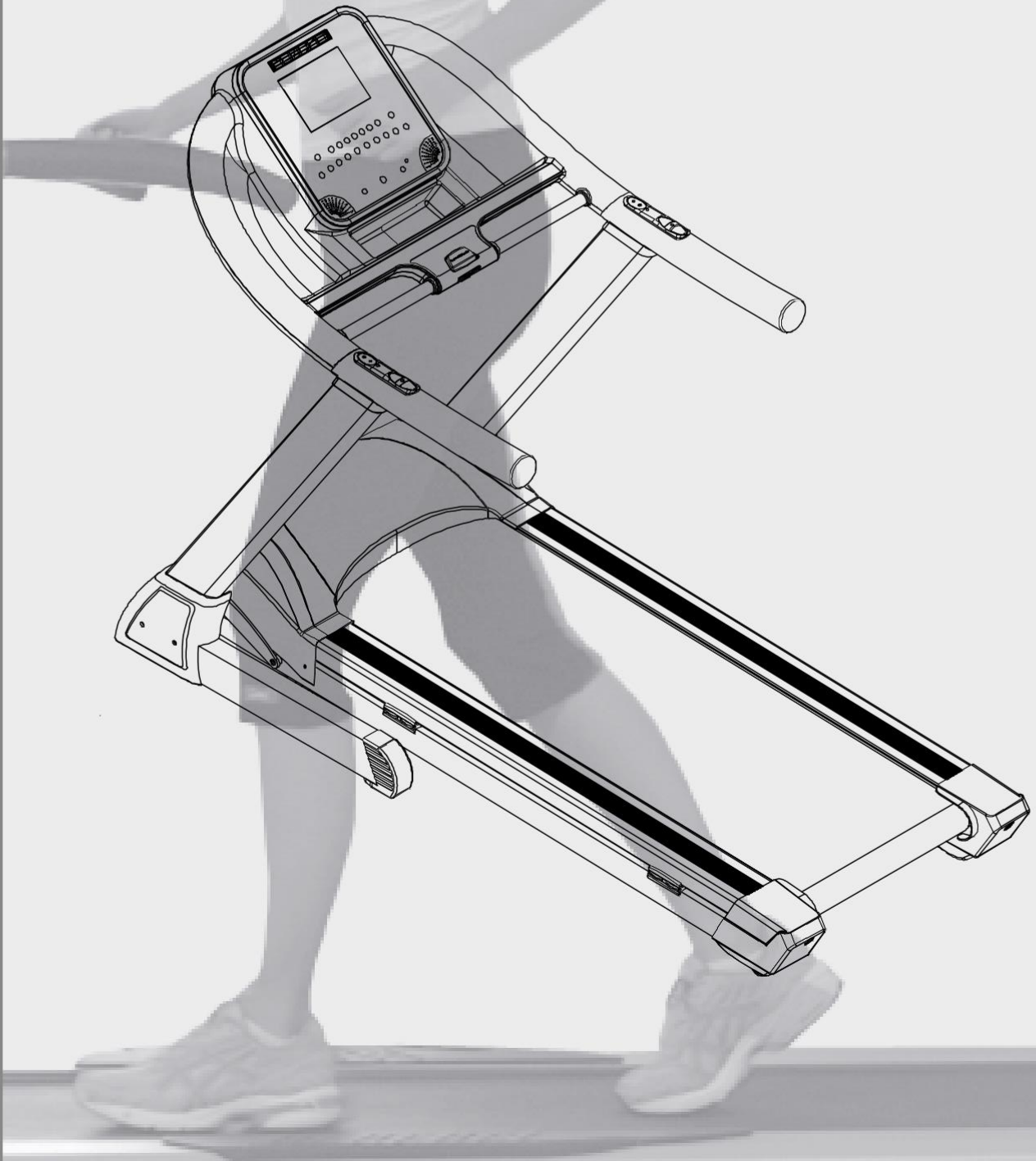


**MAXXUS<sup>®</sup>**

**Treadmill  
MAXXUS 8.1**



# Index

Index	2
Safety Instructions	3
Overall View of the Device	4
Scope of Delivery	4
Assembly Material & Tools	4
Assembly	5 - 6
Mains Cable	6
Folding Mechanism	7
Hydraulic Cylinder	8
Transport	8
Safety Key	9
Disabling Function	9
What to do in an Emergency	10
Disposal	10
Care, Cleaning & Maintenance	11
Lubricating the Treadmill Belt	12
Adjusting the Treadmill Belt	13
Re-Tensioning the Treadmill Belt	13
Cockpit	14 - 19
Heart Rate Monitoring	20
Warning about Pulse & Heart Rate Measurements	21
Pulse Rate Monitoring using Hand Sensors	21
Heart Rate Monitoring using a Chest Belt	21
Technical Details	22
Recommended Accessories	22
Exploded Drawing	23
Parts List	24 - 25
Warranty	26
Repairs Contract / Notification of a Damage Claim	27

© 2013 by MAXXUS Group GmbH & Co. KG  
 Alle Rechte vorbehalten / All rights reserved

Die Verwertung der Texte und Bilder, auch auszugsweise, ist ohne die schriftliche Zustimmung der MAXXUS Group GmbH & Co. KG urheberrechtswidrig und strafbar. Dies gilt auch für Vervielfältigung; Mikroverfilmung und die Verarbeitung mit elektronischen Systemen. Irrtümer, technische und farbliche Änderungen vorbehalten. Nachdruck sowie jegliche elektronische Vervielfältigung nur mit ausdrücklich schriftlicher Genehmigung der MAXXUS Group GmbH & Co. KG.

This publication may not be reproduced, stored in retrieval system, or transmitted in whole or in part, in any form or by any means, electronic, mechanical, photocopying, recording, or otherwise, without the prior written permission of Maxxus Group GmbH & Co. KG. Duplication, including electronic form, is only permitted with prior written permission directly from MAXXUS Group GmbH & Co. KG. Errors, colour and technical modification are subject to change

# Safety Instructions

Please read and observe all sections of this Operating Manual. Thorough attention should be paid to the safety, service and maintenance instructions and to the training information at all times

It is very important to adhere strictly to the service and maintenance instructions contained in this Manual. This training device is only to be used for its intended purpose.

If this equipment is used for any other purposes than intended, there is a possible risk of accident, damage to health or damage to the training device. The Distributor cannot be held responsible in these circumstances.

## Electrical Connection

- A mains voltage of 220-230V is required to operate this training device.
- The training device is only to be connected to the mains with the mains cable supplied using a 16A individually fused and earthed socket installed by a qualified electrician.
- The training device is only to be switched on and off using the ON/OFF switch.
- Always remove the electric plug from the socket before moving the training device.
- Remove the electric plug from the socket before commencing any cleaning, maintenance or other works.
- Do not connect the mains plug to a socket on a socket strip or on a cable drum.
- If using a cable extension please ensure that this complies with DIN standards, VDE regulations and guidelines, technical rules issued by other European Union states.
- Always place the mains cable so it cannot be damaged or cause a tripping hazard.
- In operating or standby mode, electrical devices such as mobile phones, PCs, Televisions (LCD, plasma, tube, etc.), game consoles etc. will emit electro-magnetic radiation. For this reason, all these types of devices should be kept away from your training device as they could lead to malfunction, disturbances or false outputs being shown in heart rate measurements.

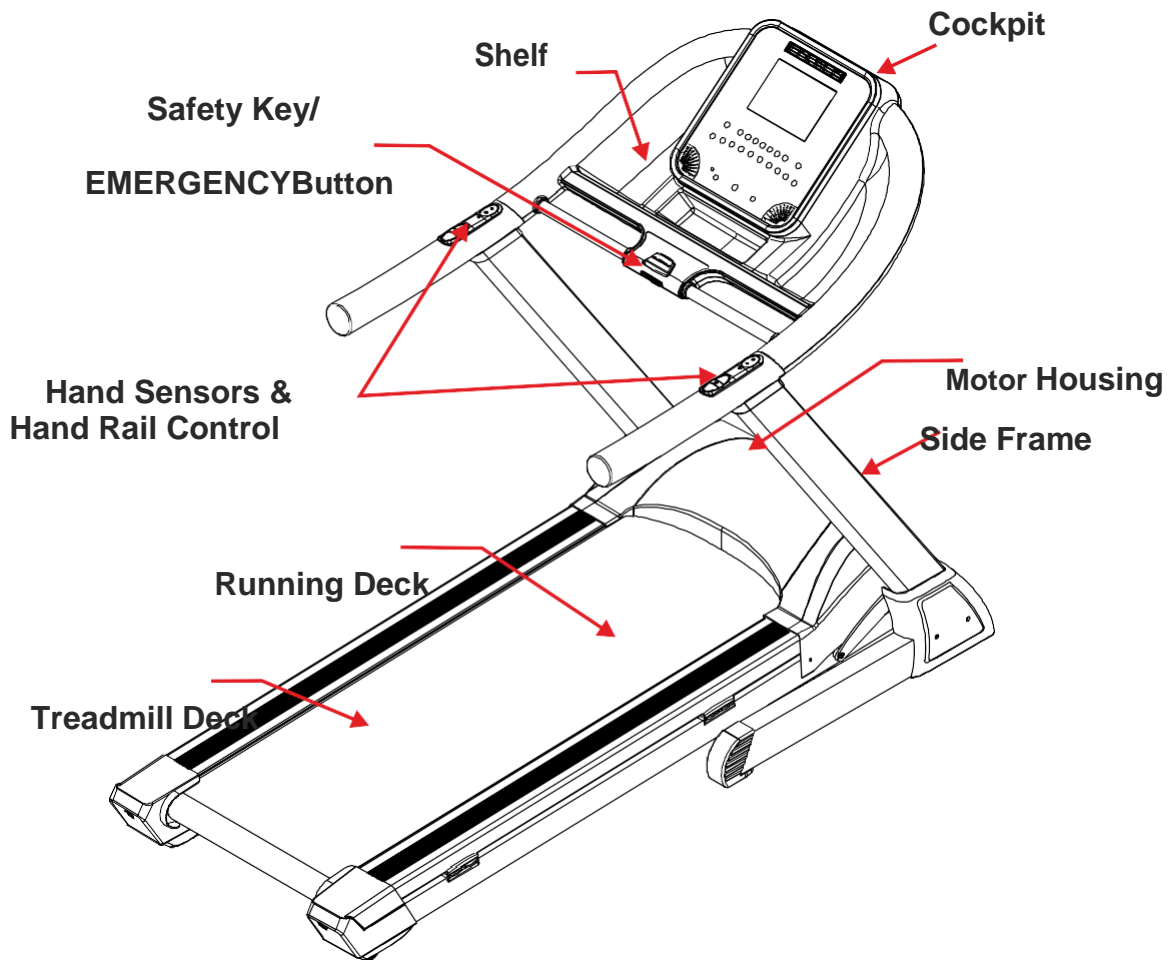
## Training Environment

- Select a suitable space for your training device to provide an optimum amount of free space and highest level of safety. You should leave a free space of at least 200 cm long and 100 cm wide behind the training device. A minimum of 100 cm free space to each side and in front of the training device should be allowed for.
- Make sure that the area is well ventilated and that an optimum amount of oxygen is available during training. Avoid draughts.
- Your training device is not suitable for outside use and so storage and training can only take place in a temperate, clean dry room.
- Do not operate or store your training device in wet areas such as in swimming pools, saunas etc.
- Make sure that your training device is kept on flat, hard, clean ground both in operation and at rest. Any uneven surfaces must be removed or made good.
- It is recommended that a floor covering (carpet, mat, etc.) should be placed under the device to protect damageable floors such as wood, laminates, floor tiles etc. Please ensure that this underlay cannot slip or slide.
- Do not put this training device on pale or white coloured carpets or rugs as the feet of the device may leave marks.
- Make sure that your training device and mains cable are kept out of contact with hot surfaces and are kept at a safe distance from any sources of heat e.g. central heating, hot stoves, furnaces, ovens or open fires.

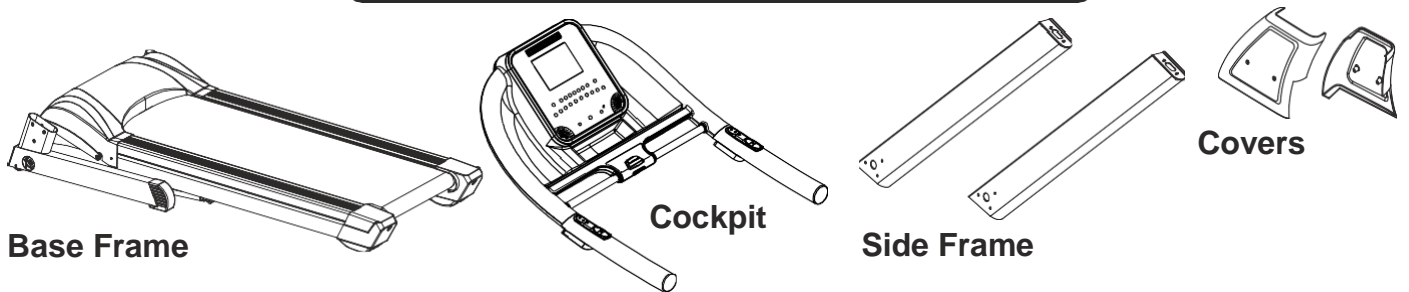
## Personal Safety Instructions for Training

- The safety key must be inserted correctly before each training session can begin.
- Remove the safety key and mains cable from the training device when not in use to avoid inappropriate or uncontrolled use by any other use by any other third party, e.g. children.
- You should have a health check carried out by your doctor before you start any training.
- Stop training immediately if you feel physically unwell or are experiencing any breathing difficulties.
- Always start your training session at a low workload increasing it slowly but steadily throughout. Reduce the workload again towards the end of your training session.
- Suitable sports shoes and clothes should always be worn during training sessions. Make sure that loose clothes do not get caught up in the treadmill belt or rollers.
- Your training device is only to be used by one person at a time.
- Check each time before a training session to see if your device is in perfect condition. Never use your training device if it is faulty or defective.
- You are only permitted to carry out repairs to the device yourself after having contacted our Service Department and on receipt of explicit permission to do so. Only original spare parts may be used at any time.
- Your training device must be cleaned after each use. Remove all dirt including body sweat or any other liquids.
- Always make sure that liquids (drinks, body sweat, etc.) do not get onto the vibrating plate or into the cockpit as this can cause damage to the mechanical and electronic components.
- Your training device is not suitable for use by children.
- Third parties, especially children and animals, must be kept at an appropriate safety distance during training.
- Check if there are any items underneath the training device before each training session and remove them without fail. Never use the training device when items are underneath it.
- Do not allow children to use your training device as a toy or climbing frame at any time.
- Ensure that no body parts of your own or of third parties ever come into contact with any of the moving mechanisms.
- The construction of this training device is based on state-of-the-art technology and highest modern technical safety standards.
- This training device is to be used by adults only!
- Extreme misuse and/or unplanned training can cause damage to your health!

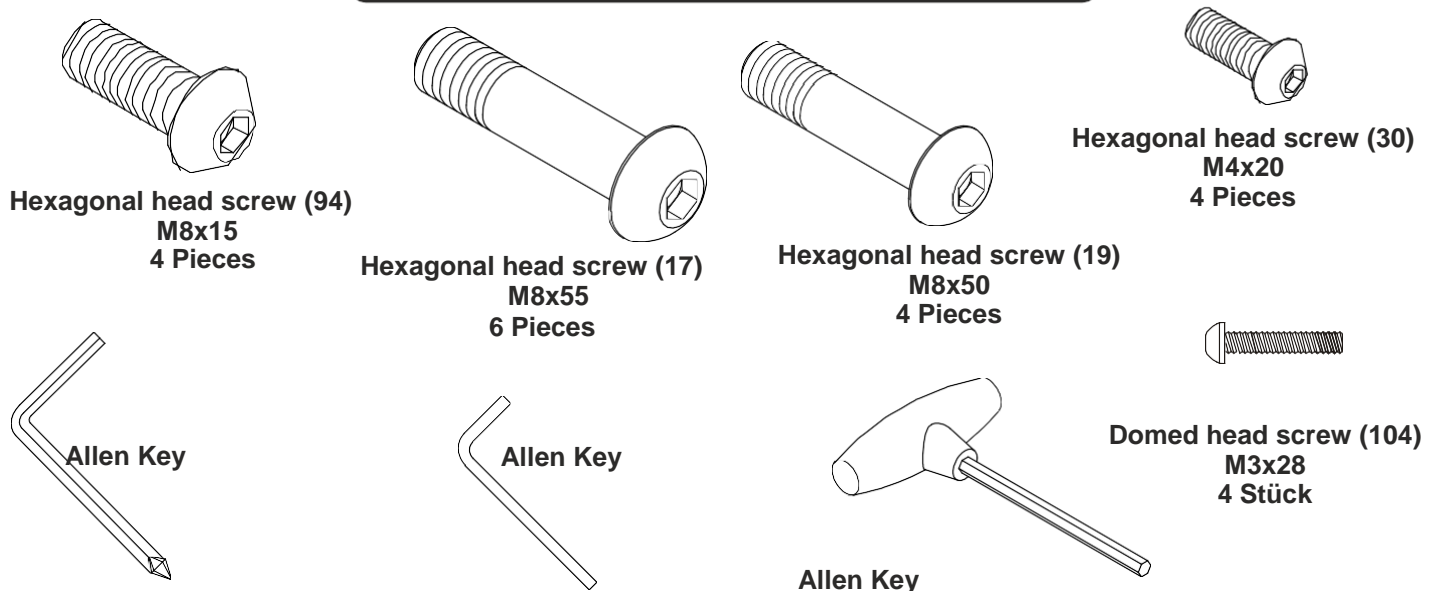
## Overview of the Device



## Scope of Delivery



## Assembly Material & Tools



## Assembly

Carefully unpack all delivered parts. Have someone there to help you as some of the training device parts are bulky and heavy.

Check that all the parts and fixing materials (screws, nuts, etc.) have been delivered.

Assemble the parts carefully as any damages or defects occurring due to mistakes made at the time of assembly are not covered by the warranty or guarantee. Therefore, read through the assembly instructions carefully before you start assembling, follow each assembly step exactly as described and keep to the correct sequence of assembly as instructed.

Assembly of the training device must be carried out thoroughly by adults only.

Assemble the training device in a location which is level, clean and clear of obstructions. 2 people are required to carry out the assembly.

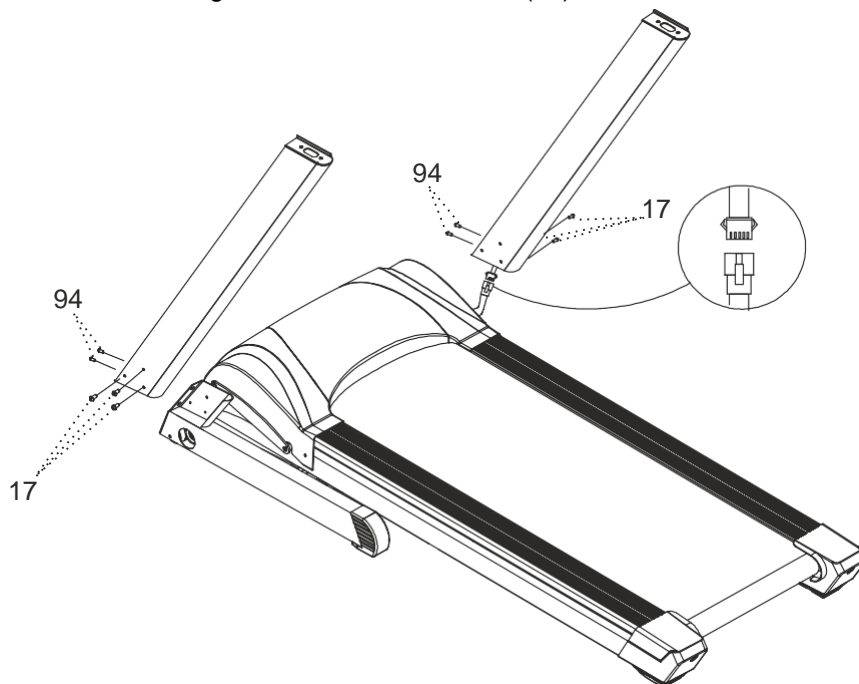
Training can only start when the training device has been fully assembled.

### Step 1:

Connect the cable that protrudes down from the right-side frame with the cable that comes out of the base frame. Insert the right-side frame into the base frame and secure it laterally with two hexagon socket screws M8x55 (17) and from the front with two domed head hexagon socket screws M8x15 (94).

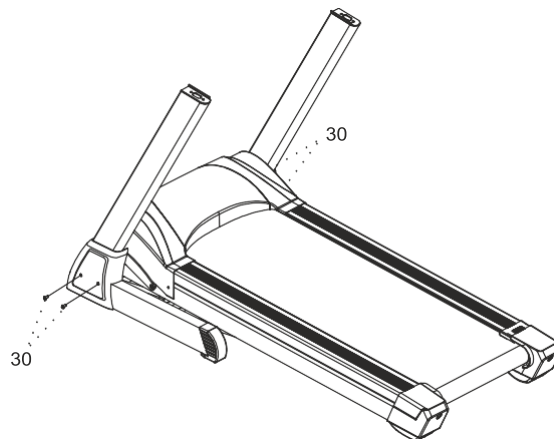
**⚠ CAUTION:** Make sure that the cable does not get damaged or jammed.

Insert the left side frame into the base frame and secure it laterally with two hexagon socket screws M8x55 (17) and from the front with two domed head hexagon socket screws M8x15 (94).



### Step 2:

Fix the covers on the left- and right-hand sides of the running belt using two hexagonal head screws M4x20 (30) on each side.



## Assembly

### Step 3:

Ideally, you will need 2 people for this step. Person A holds the cockpit and person B connects the cable protruding from the right-hand side frame to the cable coming out of the right-hand side of the cockpit frame

Carefully place the cockpit into the two side frames and attach it on each side with two hexagonal head screws 8x50 (19).

#### ⚠ CAUTION:

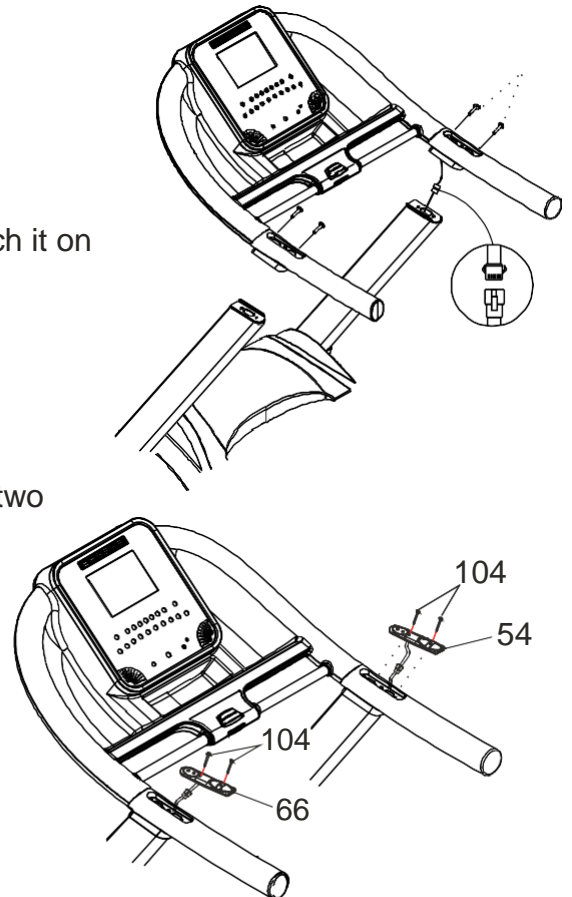
Make sure that the cables do not get damaged or jammed!

### Step 4:

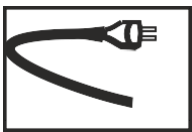
Attach the keypad (hand pulse sensor + speed control) with two rounded head screws M3x28 onto the right handrail.

⚠ CAUTION: Take care of the cables and be careful not to damage the handrail keypad

Now fix the other keypad onto the left handrail (hand pulse sensor + incline control).)



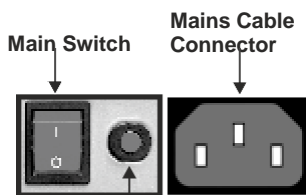
## Mains Cable



### Mains Cable

Connect the power cable coupling to the corresponding plug on the Treadmill. Then connect the power cable to an electrical socket.

⚠ The device may only be plugged in to grounded sockets which have been installed by a professional electrician. Do not use multiple sockets to connect the treadmill. If you need to use an extension cable, it must comply with the VDE guidelines.



Fault Current Switch

May vary depending on the model

### Main Switch

The main switch is located next to the power connection on the front of the Treadmill. This switch turns the treadmill on or off.

Switch position „I“ = treadmill switched on

Switch position „0“ = treadmill switched off

### Fault Current Switch (depending on the model)

There is a fault-current button-switch next to the main switch on the front of the motor cover to prevent the treadmill from being damaged by electrical surges in the network. This button-switch is triggered off by if a surge in the electrical supply occurs and acts as a circuit breaker. In this case the treadmill will be completely switched off. If this occurs, switch off the treadmill at the main switch, and pull the mains cable out of the socket with the plug. Press the button on the fault-current switch back in. Re-connect the mains cable with the plug and switch the treadmill back on at the main switch.

### Fuse (depending on the model)

To protect the treadmill from damage caused by overvoltage of the mains there is a fuse next to the main switch on the front of the engine cover. This breaks the circuit in the event of an overvoltage, the treadmill is completely switched off. If this happens, turn off the treadmill with the main power switch and unplug the power cable from the wall socket. Check the fuse and replace if necessary. Then re-connect the power cable to the socket and switch the treadmill back on using the main switch.

## Folding Mechanism

This treadmill is equipped with a folding mechanism. To save space, fold the treadmill deck up and down as follows:

**⚠ CAUTION: Only fold up the treadmill deck if:**

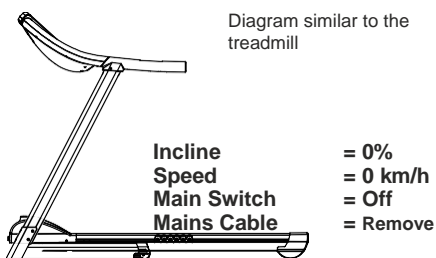
- the treadmill has been turned off at the mains switch
- the incline is at 0%
- the mains cable plug is removed from the socket.

Never allow children to fold up or fold down the treadmill.

Always make sure that there are no items, pets or children under the treadmill deck whilst it is being raised or lowered.

**⚠ CAUTION:**

Never switch on a treadmill or start a treadmill belt when it is folded up!



### Folding up the Treadmill Deck

#### Step 1:

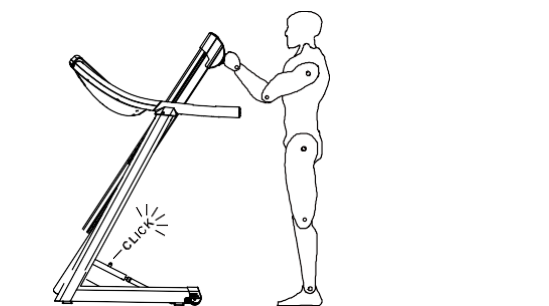
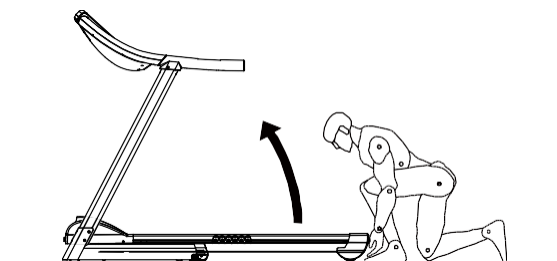
Make sure that the deck incline level is at "0", switch the treadmill off at the main switch and remove the mains plug from the socket

#### Step 2:

Hold onto the rear end of the treadmill deck and lift it upwards. Make sure that you are standing with your feet firmly on the ground.

#### Step 3:

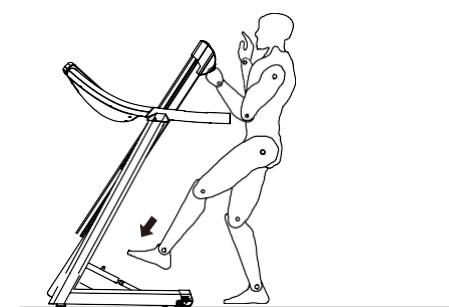
Push up the deck until you hear it lock into the catch. Check that it is locked safely in the upright position by gently shaking the deck.



### Folding Down the Treadmill Deck

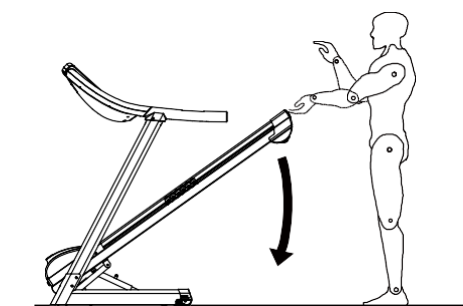
#### Step 1:

Take hold of the rear end of the deck with both hands. Press down the safety lever on the catch with your foot to release the lock. Pull the treadmill deck down gently to the floor.



#### Step 2:

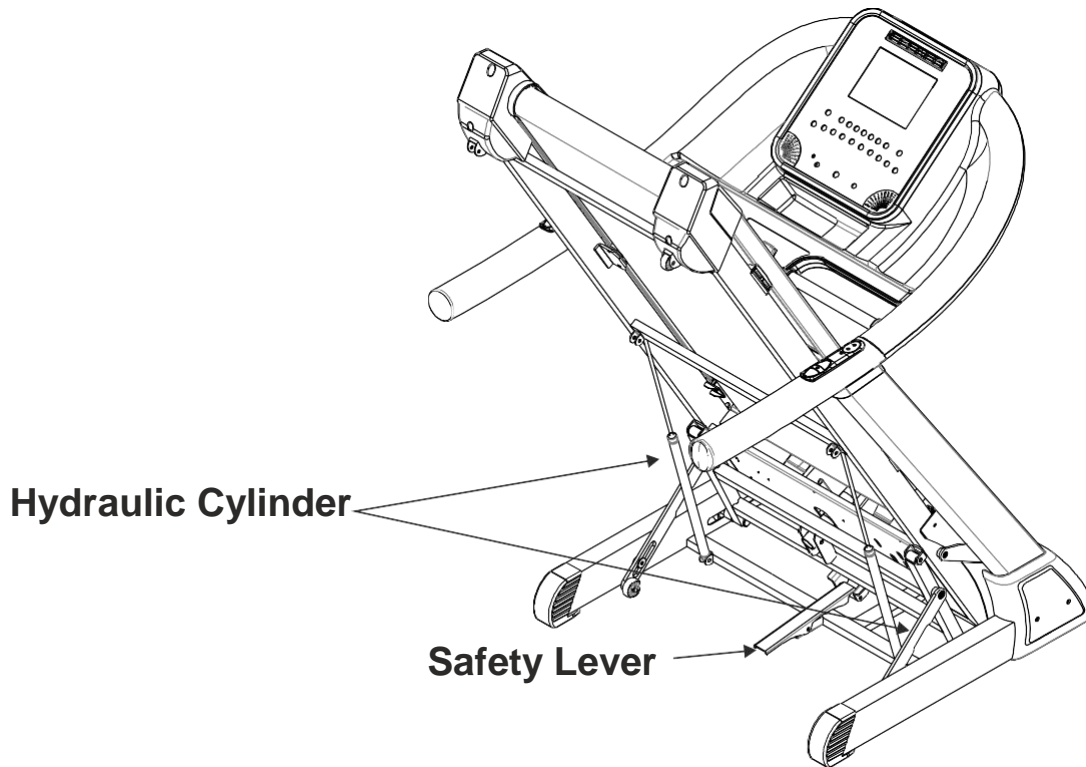
The treadmill deck is equipped with a Soft-Fold-System. This allows the deck to move slowly down until it reaches contact with the floor. You should never leave the deck to fold down unsupervised.



## Hydraulic Cylinder

### Hydraulic Cylinder

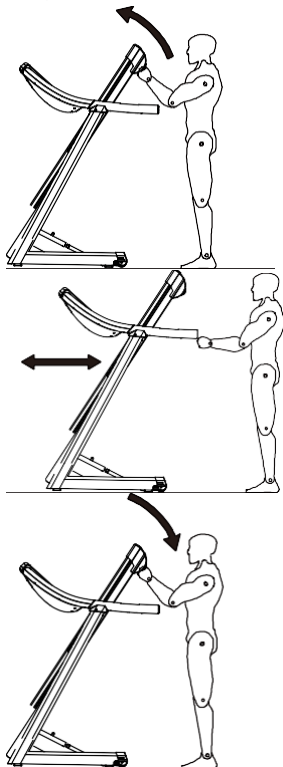
The folding mechanism relies on a hydraulic cylinder. This is filled with oil under high pressure. If a cylinder is damaged; the safe folding of the treadmill deck is no longer guaranteed. It must then be replaced before raising the treadmill deck again.



## Transport

When folded, the treadmill can be moved easily and without much effort. Move the treadmill as follows:

Abbildung Laufband ähnlich



### Step 1:

Fold up the treadmill as instructed here in the Folding Mechanism section.

### Step 2:

Take hold of the top ends of the deck on both sides with your left and right hands and pull the deck towards you until the weight of the deck is resting on the transport rollers. Make sure that you are standing with your feet firmly on the ground.

### Step 3:

The treadmill can now be moved easily and without much effort. Make sure that there are no items, pets or children in the way when you are moving the treadmill. Make sure that your feet are steadily on the ground when moving the treadmill.

### Step 4:

To set the treadmill safely down again, lift the deck right up until the front frame base is completely on the ground.

### CAUTION:

The treadmill should only be moved by an adult.



## Safety Key

### Safety Key and EMERGENCY button

The treadmill will only operate if the safety key is correctly in contact with contact point in the cockpit. The treadmill will stop automatically if the safety key is no longer in contact.

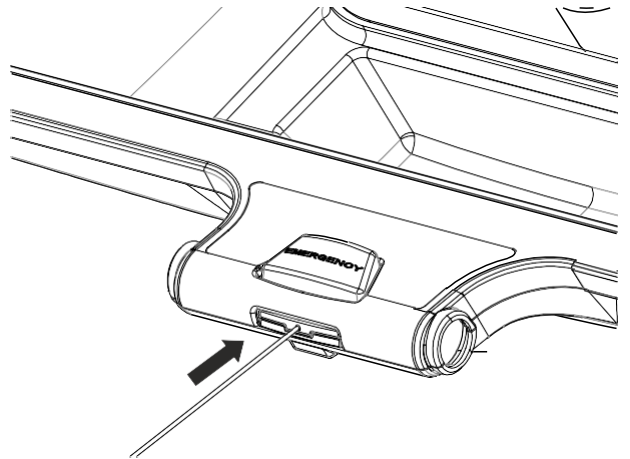
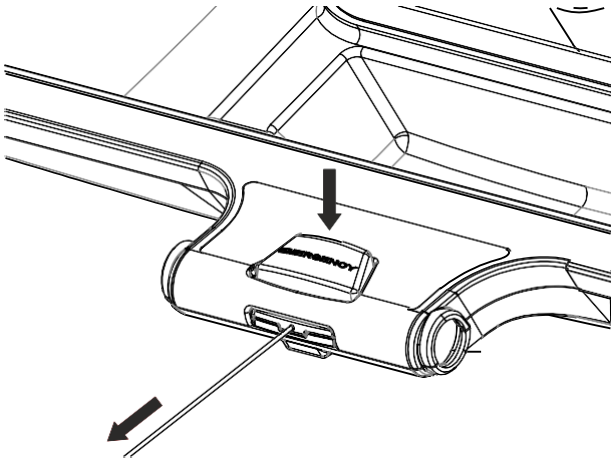
Before each training session make sure to attach the safety key to your clothing with the clip.

If you either want to stop the treadmill quickly, cannot keep up with the speed, or any other emergency arises, pull the string to remove the safety key out of the cockpit or press down the EMERGENCY button (see Figure 1). If the safety key is connected to your clothing it will automatically be pulled out of the cockpit if you fall. It is therefore vital to make sure that the clip is securely fastened to your clothing and cannot somehow be pulled off. Adjust the length of the string to hang down loosely during training.

It is not possible to operate the treadmill without the safety key being correctly inserted.

If the safety key is pulled from the contact point during training or the EMERGENCY button is pressed, the treadmill stops automatically.

The incline will remain in the adjusted position and can only be lowered after the safety key has been re-connected. Do this as shown by the arrow in Figure 2 then push the plastic element back again.



### Function test of Safety Key and EMERGENCY button

Before each use of the treadmill, check the functioning of the Safety Key and the EMERGENCY button. To do this, start the treadmill while standing beside it and pull the safety key from his contact position. The treadmill should stop immediately. Run this test again for the EMERGENCY button. Restart the treadmill while standing beside it and then press the EMERGENCY button. The treadmill should stop immediately.

#### ⚠ CAUTION:

Never use the treadmill if the Safety Key or the EMERGENCY button are not functioning properly.

## Disabling Function

To protect the treadmill from being used by unauthorised third parties, always remove the mains cable and keep it stored away in a separate place and out of the reach of unauthorised persons, such as children.

## What to do in an Emergency

### Safety Distance

Select a suitable place to keep your training device with a free safety area space of at least 200 cm long and 100 cm wide behind the training device.

Furthermore, during training, a safety distance down the length of the treadmill with a minimum width of 100 cm should be kept to the right and/or left-hand side of the treadmill.

### What to do in an Emergency

Stop training immediately if you realise that you cannot keep up with the pace, if you start feeling sick or if any other emergency arises, pull the safety key out with the string to make an emergency stop.

Hold on firmly with both hands onto the handrails and place your feet on the foot rails on each side of the tread belt.

If you trip during training, hold onto the handrails immediately with both hands, support yourself with your hands and arms on the handrails and put your feet on the foot rails on either side of the tread belt.

You should practice this several times so that you will know what to do if an emergency arises.

Wear the safety key every time you use the treadmill. Make sure that all third parties are familiar with the safety instructions and that they always use the safety key correctly whilst training!

## Disposal



### European Disposal Regulations 2002/96/EG

Do not dispose your training device in the normal household rubbish.

Dispose the device at a communal waste disposal facility or at a registered waste disposal company.

Observe current regulations which apply accordingly. If in doubt seek advice from your local government office or county council as to where you can dispose of the device properly and in an environmentally sound manner.

### Batteries / Rechargeable Batteries

Batteries and rechargeable batteries should never be disposed of in the household rubbish.

Please be aware that all batteries can contain toxic substances and all consumers are obliged by law to dispose these at an appropriate collection point either at your local government office, county council or retail outlet.

If in doubt seek advice from your local government office or county council as to where you can dispose batteries properly and in an environmentally sound manner. Only dispose of batteries when they are empty..

### **⚠ CAUTION:**

Before you perform any care, cleaning, maintenance, repair or similar work on your training device, turn off your exerciser and remove the power cord. Check before starting the planned work that your exerciser is completely disconnected and switched off. Only when all work is fully completed, and the device is completely re-assembled, may the training device be reconnected to the mains and turned on.

### **Before first use or after a long break from training**

Check that the treadmill is safe. There must be no objects on or under the device. Make sure that there is a continuous film of lubricant (silicone) on the running deck. If this is not the case, then use the supplied silicone and apply a lubricant film.

### **Maintenance & Cleaning Intervals:**

After each workout, clean the treadmill with a damp cloth to remove possible perspiration and / or other liquid residues. Under no circumstances use solvents for this purpose. Dry the cleaned areas thoroughly.

#### **Checking the lubrication of the running belt: once a week**

If your regular checks show that there is no longer enough lubrication, immediately lubricate and adjust the check interval accordingly as shorter intervals are necessary. If the treadmill has a folding mechanism and has been standing upright for a long time, check whether there is still enough lubricant present.

#### **Check the belt run: once a week**

The alignment of the running belt must be checked regularly. Should you notice that the belt is running to one side, this must be corrected immediately. Please read the corresponding section in the manual.

#### **Cleaning the motor compartment: once a month**

To clean the motor compartment, remove the motor cover bolts and cover.

**CAUTION: This work may only be performed when the training device is switched off and the power plug is removed.** Vacuum the visible dust with the small nozzle of a vacuum cleaner. Never use detergent or compressed air under any circumstances.

#### **Checking the fixing materials: once a month**

Check the bolts and nuts at least once a month. Tighten it, if necessary.

### **Why is maintenance of my treadmill so important?**

For you to enjoy your treadmill for a long time, it is important to do some basic maintenance regularly and conscientiously. The intervals of this work depend very much on the degree of utilisation of the device and therefore, the intervals may need to be shorter than specified.

### **What can happen if there is a lack of maintenance??**

There is friction between the running belt and the running deck when in use. Any kind of friction means wear and thus reduces the life of your training device. By lubricating between the board and mat with silicone the friction is reduced, thus increasing the life of both parts. If the treadmill runs dry the running board gets hot, the surface of the running board and the running belt may be destroyed. Friction can also lead to a static charge which can discharge on body contact with the frame. This is not only unpleasant but can also destroy the electronics of the treadmill.

### **Why do I have to clean the motor compartment?**

Due to movement of the running belt and ventilation of the motor, the treadmill attracts dust from the environment. This deposits both under and in the device. At some point, the interior of the device would be so dusty that it causes a short to electronic components. To avoid this, regular cleaning is necessary.

### **Damage caused by neglect or lack of maintenance and care are excluded from the Warranty and Guarantee.**

Costs for the repair of a non-maintained training device can therefore quickly amount to several hundred euros. A high price that can be avoided by regular care and maintenance.

## Lubricating the Treadmill Belt

The **most important** maintenance measure for a treadmill is regular and timely lubrication and regular maintenance and care of the running belt. Damage or defects to the running belt resulting from lack of or failure to care for or lubricate the running belt, are not covered by the warranty or guarantee under any circumstances.

The treadmill belt must always be lubricated if a significant increase in friction of the running belt is noted. This can be detected by a jerking movement of the belt while training, or an error message (eg. "E01") in the cockpit display.

Inadequate lubrication or care and the associated significant increase in friction inevitably leads to increased wear and causes damage to the running belt, running deck, engine and circuit board. The frequency of use of the treadmill largely dictates how often you must perform maintenance. Because this varies from user to user, we recommend creating a service booklet. You should set a fixed day of the week to check the lubrication of the running belt during the first 6 months of use. To do this, lift the front third of the running belt and feel with your hand towards the middle if there is still lubricant present. If so, enter the date and "ok" in the service booklet. If little or no lubricant is present, lubricate the belt and enter this with the date. After some time, you can see the lubrication interval required.

**⚠ Even if you do not want to run a service book, be sure to check the lubrication of the running belt once per week!!**

If the treadmill is not used, or if the treadmill remains folded-up for some longer period you must check the lubrication of the belt before use and lubricate it if necessary. Ideally you should lubricate the belt before using it for the first time and then again one week later, and then at regular intervals from then on.

To achieve optimum lubrication of the belt, use the **MAXXUS** maintenance oil bottle, remove the normal screw bottle top (Diagram 1) and screw on the thin tube top (Diagram 2). Before lubricating the belt, make sure that the treadmill is switched-off and that the belt is no longer moving. Now lift the belt (Diagram 3)

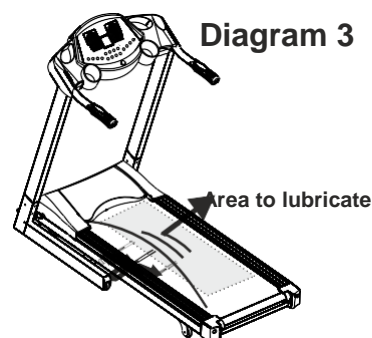
Diagram 1



Diagram 2

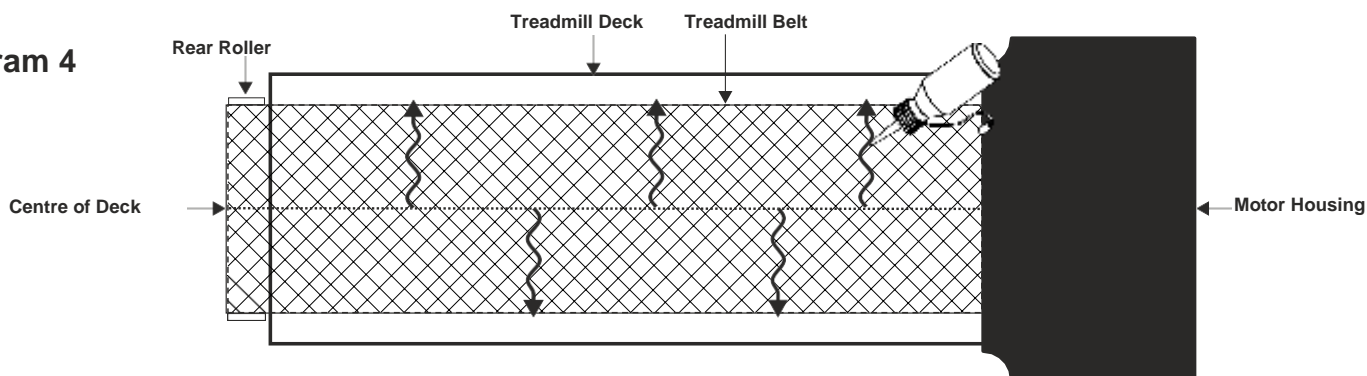


Diagram 3



The belt should be lubricated from both sides. Lift the belt from one side high enough so that you can reach the middle of the belt with the end of the thin tube on the silicone oil bottle. Apply a wavy line of silicone oil from the middle of the belt towards the sides. You should apply three to four lines of silicone oil running from the middle of the belt to the sides. At each lubrication process you should not apply more than 10 to max 15ml of silicone oil. If too much silicon is applied this may lead to the treadmill belt slipping through. In this case remove the excess oil from the deck and drive rollers with a dry cloth..

Diagram 4

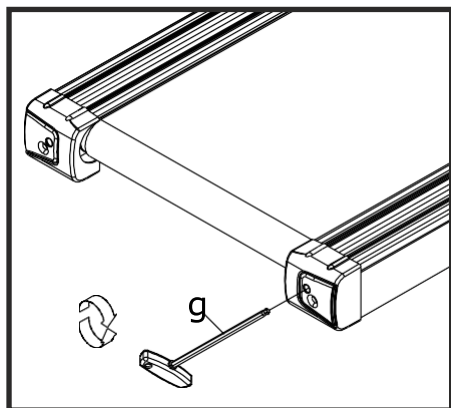


After completing a lubrication process, walk and run on the treadmill with the belt running at a speed of 4 km/h for approx. 5 minutes. Whilst doing this, change your position constantly from left to right and in the middle of the belt to distribute the silicone oil well. Following lubrication do not fold up the treadmill for at least 2 days.

**⚠ Only use the silicone bottle supplied or MAXXUS® maintenance oil (available from [www.maxxus.de](http://www.maxxus.de)) to lubricate the treadmill belt. We do not recommend using any other types of silicone or lubricants containing Teflon at any time.**

## Adjusting the Treadmill Belt

**!** The treadmill belt must always be switched off and the mains cable plug removed from the socket before starting any maintenance, cleaning, repairs or any other works!



To achieve as long a service life as possible, the belt should always be kept running straight along the centre of the deck. Check before each training session if the belt is straight and running in the middle of the deck or if it has changed position. Possible reasons for it changing position are:

The ground on which the treadmill is standing is either uneven or at an incline.

Personal running style (eg. distribution of weight to one side, in or out-turned feet etc)

The treadmill belt can be adjusted in the following way:

1. Start-up the treadmill belt and let it run at a constant speed of 12 km/h.
- 2.1 If the belt is running towards the left, turn the left adjustment screw located at the back end of the belt by 1/8 turn clockwise and the right adjustment screw 1/8 turn anti-clockwise. Wait for a short while to see the results as this will not immediately be apparent

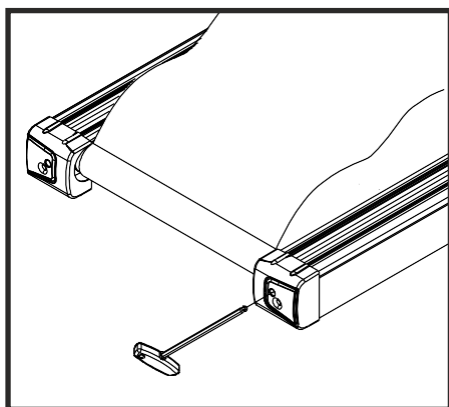
**!** The running direction of the belt will be changed with just a turn of 1/8 of the adjustment screw. Only turn the screw a little at a time.

- 2.2 If the belt is running towards the right, turn the right adjustment screw by 1/8 turn clockwise and the left adjustment screw 1/8 turn anti-clockwise.
3. If the belt is now running in the middle of the deck, the adjustment will be correct. If this is still not the case, repeat the steps described in 2.1 and 2.2 until the belt is running along the middle.

If the belt cannot be adjusted, please contact a specialist immediately.

**!** If the belt has become so displaced that it is rubbing along one of the foot rails, this will cause friction and defects to the treadmill belt. Damage caused by failure or insufficient adjustments made to the treadmill belt will not be covered by the warranty or guarantee under any circumstances.

## Re-tensioning the Treadmill Belt



If the belt is slipping on the drive rollers during operation (this will be made apparent by the belt jolting noticeably during running) the belt requires to be re-tensioned. The belt is re-tensioned using the same adjustment screws as when adjusting the belt.

1. Start-up the treadmill belt and let it run at a constant speed of 4 km/h.
2. Turn one adjustment screw after the other by 1/8 of a turn in a clockwise direction.
3. Try to slow down the belt by walking on it as if you are walking down a steep slope. If the front roller is still turning, repeat the tensioning process once again. The treadmill belt should be tensioned so that the front roller only turns through with heavy braking.

# Cockpit



The display of the display informs you about the following training values:

**CAL\*** Energy consumption in kcal

**INCL** Incline

**PULSE** when using the hand sensors: pulse display

- when using optional chest strap transmitter\*: heart rate display

\*not included in delivery – available as extra accessory

**TIME** Training Time

**SPEED** Speed in km/h

**DIS** Training Distance km

\* Note on calorie measurement

Calculation of the energy consumption is done by means of a general formula. It is not possible to determine an individual energy consumption exactly without a lot of personal data. The displayed energy consumption is approximate, not an exact value.

## Display

The cockpit display is a blue backlight LCD display. The blue background lighting makes it possible to read the training data clearly even in low light conditions.

## LCD- LCD Profile Matrix

The graphical representation of the programs takes place via a dot profile matrix. The current training area is indicated by a flashing segment.

## INCLINE $\square/\square$ Key

With keys  $\blacktriangle/\blacktriangledown$  you can adjust the incline in 1% levels.

$\square$  = Incline is increased

$\square$  = Incline decreased

## SPEED +/-

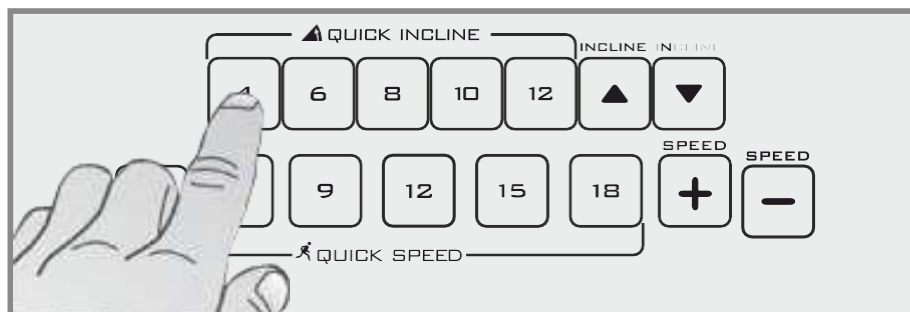
With keys +/- you can adjust the speed in 0.1 km/h levels.

$+$  = speed increased

$-$  = speed decreased

## Quick Select Keys (Speed & Incline)

The treadmill cockpit has 5 Quick Select Keys to adjust the incline and 6 Quick Select Keys to adjust the speed. This is a very quick and easy way to adjust both speed and incline according to your requirements.



## STOP Key

### Stop/Pause Function:

Press the STOP/RESET key once and the treadmill belt will stop. The cockpit will switch into pause mode for 5 minutes. If the START key is pressed in these five minutes, training will continue from where it stopped. After the five-minute break, the cockpit will automatically reset, and all values will be set back to Zero.

### RESET Function:

If you press the STOP/RESET key for longer than 3 seconds when the device is in pause mode, an acoustic signal will sound, and all values will be reset.

## START Key

Start the Quick Start function or the training program selected.

If using the Pause function, training can be re-started by pressing the START key.

## PROGRAM Key (P)

Key for selecting the program.

## MODE Key (M)

Key for selecting the training specifications

## Heart Rate Measurement

The cockpit of your treadmill is standard equipped with a polar-compatible receiver. A chest belt is available as an accessory.

## Hand Pulse Sensors

Serve for short-term pulse measurement. Please do not touch the hand pulse sensors if you are wearing a chest belt as this can cause incorrect pulse rate measurements.

## Ventilator

Press the Fan Key to turn the ventilator on and off. The incline of the ventilator can be adjusted to suit.



## Switching on the Treadmill

Connect the mains plug on the power cable to a grounded, 16 A socket which has an individual fuse and been installed by a professional electrician.

Now switch on the treadmill with the on / off button (located on the back of the motor housing).

## Switching On/Off

Press the On/Off key again to switch off the treadmill. Remove the mains plug from the electrical socket.

### **CAUTION:**

Before you switch off the treadmill, always make sure that the incline level is at zero.

## Quick Start

Press the START button.

The treadmill starts automatically after a countdown and the exercise time will start to run.

Use the SPEED keys to adjust the speed, and the INCLINE keys to adjust the incline during your workout.

To have a break or stop the workout, press the STOP button.

## Manual Training (P0)

### **Step 1: Program Selection**

After switching on the treadmill, the display will show "P0". If the treadmill is already switched on and the display shows another program, select the program "P0" by pressing the PROGRAM key.

### **Step 2: Selecting the Training Target Value**

You now have the option of specifying either the training time, the training distance or the calorie consumption as the target value for your training. The two values that you do not specify are automatically set to zero by the cockpit

### **Selecting the Training Time:**

Press the MODE key once. The display window TIME flashes 30:00 minutes. Specify the desired workout time from 05:00 to 99:00 minutes by pressing the incline or speed control keys.

### Selecting the Training Distance:

Press the MODE key twice. The value "1.00" flashes in the display field for "DISTANCE". Enter the desired distance from 0.5 to 99.5km by pressing the keys for SPEED or INCLINE.

### Selecting the Calorie Consumption:

Press the MODE key three times. The value "5.0" flashes in the display field for "CALORIE". Enter the desired calorie consumption from 10 to 9,990 kilo calories by pressing the keys for SPEED or INCLINE.

### Step 3: Training Start

After entering the desired workout goals, press the START button. The display will show a countdown. Every countdown value is sounded with an acoustic signal. After completion of the countdown the treadmill will start automatically.

### Training Finish

The treadmill will stop automatically when the training goal has been reached.

### Training Profile P1 - P24

#### Step 1: Selecting a Profile:

After switching on treadmill „P0“ will appear in the display. Select the training profile from P1 to P24 which you would like by pressing the PROGRAM key.

#### Step 2: Profile Start

Now press the START key. Every countdown value is sounded with an acoustic signal. After completion of the countdown the treadmill will start automatically.

### Training Finish

The treadmill will stop automatically when the training goal has been reached.

### Calculating the Body Mass Index

#### Step 1: Selecting the Program

After switching on the treadmill „P0“ will appear in the display. Select the FAT program by pressing the PROGRAM key

#### Step 2: Gender Input

F1 will be shown in the display. Now press the appropriate gender for the user by pressing the control key for SPEED. Select "1" for "male" and "2" for "female". Confirm your input by pressing the MODE key.

#### Step 3: Age Input

F2 will be shown in the display. Enter the age of the user by pressing the control key for SPEED. Inputs from 10-100 years are possible. Confirm your entry by pressing the MODE key.

#### Step 4: User Height

F3 will be shown in the display. Enter the height of the user by pressing the control key for SPEED. Inputs from 100 – 199 centimeters are possible. Confirm your entry by pressing the MODE key.

#### Step 5: User Weight

F4 will be shown in the display. Enter the weight of the user by pressing the control key for SPEED. Inputs from 20-150 kilograms are possible here. Confirm your entry by pressing the MODE key.

#### Step 6: Program Start

Now „BMI“ will be shown in the display. Take hold of the hand pulse sensors with both hands and hold them firmly for approximately 10 seconds.

#### Step 7: Program End

Following successful measurement, the BMI (Body Mass Index) will be shown in the display.

### Body Mass Index (BMI)

This value is calculated from the ratio of body weight to height and is used to assess the body weight of a person in relation to his body size. Please note that the BMI is only a rough guideline, as it does not take into account physique and gender or the individual composition of the body mass of fat and muscle tissue of a person. The "ideal" BMI depends on the age. The table shows BMI values for different age groups.

Age	BMI
19 - 24 Years	19 - 24
25 - 34 Years	20 - 25
35 - 44 Years	21 - 26
45 - 54 Years	22 - 27
55 - 64 Years	23 - 28
> 64 Years	24 - 29



## Cockpit

Program	S1	S2	S3	S4	S5	S6	S7	S8	S9	S10	S11	S12	S13	S14	S15	S16	
P1	km/h	2	3	3	4	4	4	4	4	4	4	4	4	3	3	2	
	Incline	1	1	2	2	2	3	3	2	2	3	2	3	2	2	1	1
P2	km/h	2	3	4	4	7	4	7	7	7	4	7	7	4	4	3	2
	Incline	2	3	4	3	4	4	5	5	6	7	6	6	5	4	3	2
P3	km/h	2	3	4	4	7	7	4	7	7	7	7	4	4	4	3	2
	Incline	3	7	4	4	7	4	8	4	3	7	3	7	5	4	7	3
P4	km/h	2	3	3	6	6	6	6	6	6	9	6	6	6	3	3	2
	Incline	3	7	4	4	7	4	8	4	3	7	3	7	5	4	7	2
PS	km/h	2	3	4	6	6	6	6	9	6	6	6	6	6	4	3	2
	Incline	2	4	6	8	6	8	5	10	11	8	6	7	6	8	4	2
P6	km/h	2	4	4	6	6	9	9	9	9	6	6	6	6	6	4	2
	Incline	3	4	5	6	5	6	5	7	6	7	5	7	6	7	7	3
P7	km/h	4	6	6	9	11	11	9	11	11	9	11	11	9	9	6	4
	Incline	2	4	4	6	7	8	10	12	13	13	12	10	8	6	4	2
PS	km/h	2	4	4	7	7	7	7	9	9	11	9	11	9	9	11	11
	Incline	2	4	8	10	13	2	4	8	10	13	2	4	9	10	13	2
pg	km/h	3	6	6	9	11	11	7	9	11	11	11	11	9	9	6	3
	Incline	13	10	8	4	2	13	10	8	4	2	13	10	8	4	3	3
P10	km/h	2	4	4	6	2	4	4	6	2	4	4	6	2	4	4	6
	Incline	2	2	4	4	3	4	5	6	5	6	8	7	8	9	10	10
P11	km/h	4	6	6	9	4	6	6	9	4	6	6	9	4	6	6	9
	Incline	10	12	10	12	8	8	7	7	5	6	5	6	4	3	4	3
P12	km/h	3	6	9	11	3	6	9	11	3	6	9	11	3	6	9	11
	Incline	12	11	9	8	12	11	9	8	12	11	9	8	12	11	9	8
P13	km/h	4	12	4	12	4	12	4	12	4	12	4	12	4	12	4	12
	Incline	4	8	10	12	4	8	10	12	4	8	10	12	4	8	10	12
P14	km/h	3	6	9	11	3	6	9	11	3	6	9	11	3	6	9	11
	Incline	4	8	10	12	4	8	10	12	4	8	10	12	4	8	10	12
P15	km/h	11	11	9	6	11	11	9	6	11	11	9	6	11	11	9	6
	Incline	2	3	4	5	6	8	7	8	8	7	7	6	5	4	3	2
P16	km/h	4	12	4	12	4	12	4	12	4	12	4	12	4	12	4	12
	Incline	2	4	5	6	2	4	5	6	2	4	5	6	2	4	5	6
P17	km/h	2	4	6	6	9	11	11	2	4	6	6	11	11	9	6	2
	Incline	2	4	6	8	10	12	13	12	13	12	13	10	8	6	4	2
P18	km/h	3	6	6	3	6	6	3	6	6	3	6	6	3	6	6	2
	Incline	2	6	8	2	6	8	2	6	8	2	6	8	2	6	8	2
P19	km/h	4	12	4	12	4	12	4	12	4	12	4	12	4	12	4	12
	Incline	10	8	6	4	10	8	6	4	10	8	6	4	10	8	6	4
P20	km/h	4	12	4	12	4	12	4	12	4	12	4	12	4	12	4	12
	Incline	12	8	2	12	8	2	12	8	2	12	8	2	12	8	2	2
P21	km/h	2	6	11	2	6	11	2	6	11	2	6	11	2	6	11	2
	Incline	12	8	2	12	8	2	12	8	2	12	8	2	12	8	2	2
P22	km/h	11	6	2	11	6	2	11	6	2	11	6	2	11	6	2	2
	Incline	2	4	10	2	4	10	2	6	12	6	8	12	6	8	12	2
P23	km/h	11	6	6	2	11	6	6	2	11	6	6	2	11	6	6	2
	Incline	2	3	4	5	6	6	7	8	10	11	12	12	13	13	10	2
P24	km/h	11	6	4	11	6	4	11	6	4	11	6	4	11	6	4	2
	Incline	4	4	5	6	7	8	10	10	12	13	12	13	12	13	10	2

## Heart Rate-Controlled programs (HRC)

These programs are heart rate-controlled exercise programmes.

The user specifies a target heart rate. This is continuously compared with the actual heart rate of the user by the cockpit. If the actual heart rate is lower than the target heart rate, the treadmill automatically increases the speed. If the value is higher, the treadmill automatically reduces the speed. The main requirement for these programmes is a permanent, accurate transmission of heart rate values. For this reason, these programmes can only be done using an uncoded heart rate chest belt. This is available as an accessory. Using these programs with the hand pulse sensors is not possible. Please also read the chapters " Heart Rate Monitoring using a Chest Belt " and " Warning about Pulse & Heart Rate Monitors " in this manual.

### Step 1: Program Selection

After switching on the treadmill „P0" will appear in the display.

By pressing the PROGRAM or P key select from program HRC1, HRC2 or HRC3.

HRC1 = Maximum speed 9 km/h

HRC2 = Maximum speed 11 km/h

HRC3 = Maximum speed 13km/h

### Step 2: Age Input

The value of 25 will be flashing in the display. Enter the age of the user by pressing the control keys for speed. Entries from 15 to 80 years are possible.

Confirm your entry using the MODE key.

### Step 3: Selection of Target Pulse

The target heart rate calculated by the cockpit is shown in the display. This is 60% of the maximum heart rate. If you want to train with the calculated value confirm this with the MODE key.

If you want to train with an individual target heart rate, enter it by pressing the control key for SPEED. It is possible to enter a value between 80 to 180. Confirm this by pressing the MODE key.

Please also read the chapters on pulse and heart rate measurement in this manual.

### Step 4: Time Input

The value of 30:00 minutes will be flashing in the TIME display. Enter the training time you require between 05:00 and 99:00 by pressing the control key for speed.

### Step 5: Profile Start

Now press the START key.

A countdown will be shown in the display. The training time will start to run as soon as the countdown ends, and the treadmill will start automatically at a speed of 1.0 km/h. This start-up speed will continue for 60 seconds and then the HRC program will start. The incline can be changed during training as required.

### Training End

The treadmill stops automatically at the end of the selected time.

### Program Sequence

After the treadmill starts automatically the cockpit measures the current heart rate of the user.

If the current heart rate is +/- 5 beats/minute above or below the target heart rate, the treadmill will continue at the current speed.

### Example:

Target heart rate is 130 - no change to the speed and incline if the current heart rate is between 125~135 beats/minute.

If the current heart rate is more than 30 beats/minute higher than the target heart rate, the treadmill will reduce speed by 2.0 km/h.

If the current heart rate is 6 to 29 beats/minute higher than the target heart rate, the treadmill will reduce speed by 1.0 km/h.

If the current heart rate is more than 30 beats/minute lower than the target heart rate then the treadmill will increase speed by 2.0 km/h.

If the current heart rate is 6 to 29 beats/minute lower than the target heart rate then the treadmill reduces speed by 1.0 km/h.

### In the following cases the treadmill will stop the current HRC Program early:

1. If heart rate measurement is not possible for more than 60 seconds.
2. If the actual heart rate is still higher than 5 beats/minute as the target heart rate and the speed is already set at the slowest speed possible.
3. If the actual heart rate is higher than the maximum heart rate (220-Age).

### Free Memory Space U01, U02 and U03

Here there are 3 free memory slots for individual training profiles.

#### Step 1: Program Selection

After switching the treadmill on „P0“ will appear on the display. Select the memory slot you want from U01, U02 or U03 using the “P” key.

#### Step 2 2: Time Input

The value of 30:00 minutes will be flashing in the TIME display. Enter the training time you require between 05:00 and 99:00 by pressing the control key for speed or incline.

#### Step 3: Selecting the Speed

In the profile matrix the first of the 16 segments will flash and the value of 1.km will be flashing in the SPEED display. Enter the required speed by pressing the control key for speed or using the quick selection key QUICK SPEED.

Confirm your entry by pressing the MODE key.

Now the second segment in the profile matrix will be flashing and the value of 1.0 km/h will flash in the SPEED display. Enter the speed you require as instructed above and confirm this with the M key and proceed in the same way with the rest of the segments.

#### Step 4: Selecting the Incline

After confirming your required speed for the last segment by pressing the M key, the segments and Value 1 will start to flash in the profile matrix to select the incline.

Enter the required incline by pressing the control key for incline or by using the quick selection key QUICK INCLINE.

Confirm your entry by pressing the MODE key.

Now the second segment in the profile matrix will be flashing and Value 1 will be flashing in the incline display. Enter the incline you require and confirm this by pressing the M key. Proceed in the same way with the rest of the segments. When you have completed the entry for the last segment, do not press the M key but continue straight away with Step 5.

#### Step 5: Program Start

Now press the START key.

A countdown will be shown in the display. The training time will start to run as soon as the countdown ends, and the treadmill will start automatically.

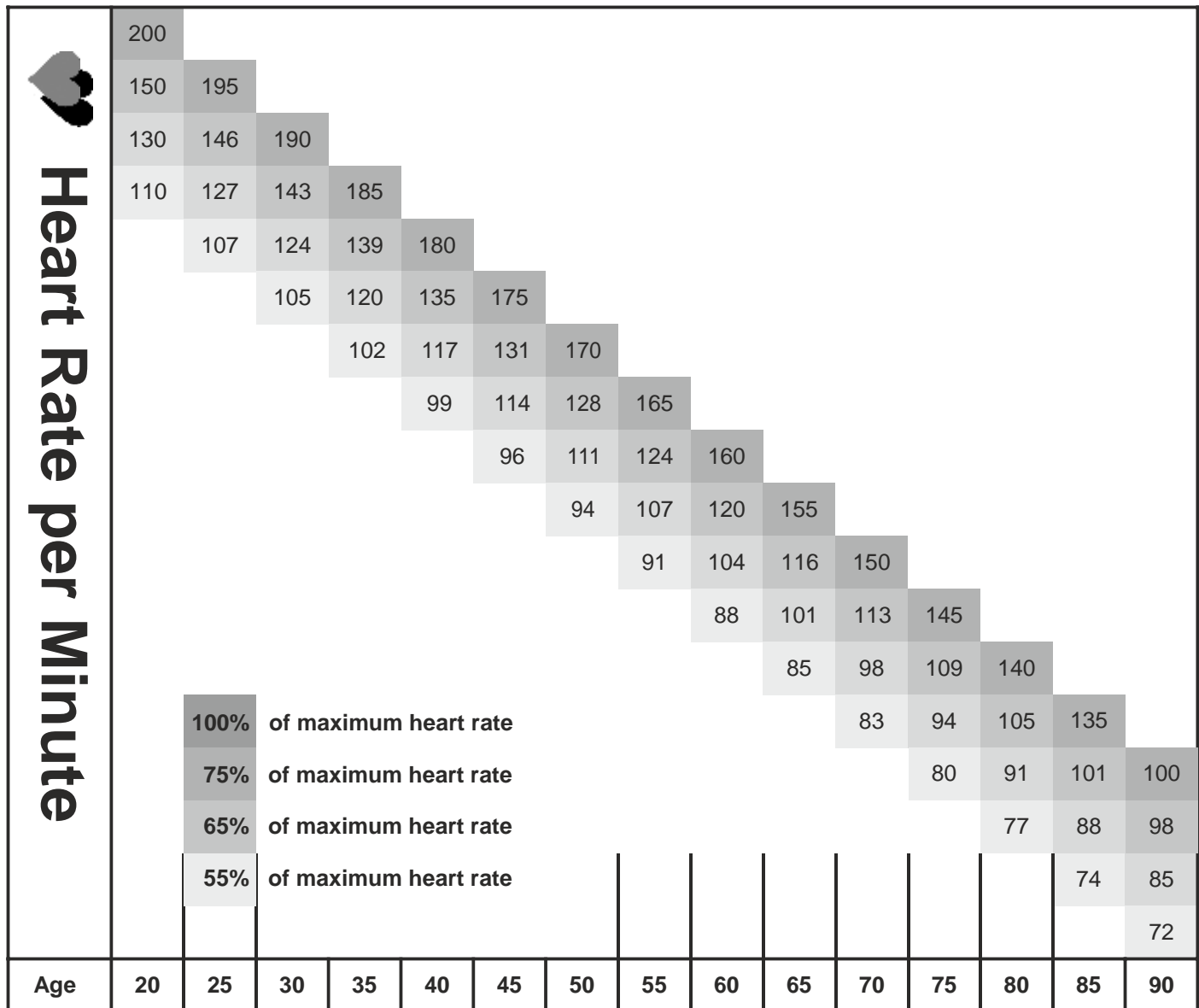
#### Training End

The treadmill stops automatically at the end of the selected time.

The training profile has now been saved in the memory. To do this training again, follow Step 1 and Step 1. Directly after entering the time, press the START key.

To overwrite the program simply follow all the steps above.

# Heart Rate Monitoring



### Calculation of the individual training heart rate

Your individual training heart rate is calculated as follows:

#### 220 - Age = maximum heart rate

This value sets your maximum heart rate and serves as the basis for the calculation of the individual training heart rate. To do this, set the calculated maximum heart rate equal to 100%

#### Wellness & Health - Target Zone = 50 to 60% of maximum heart rate

This training zone is ideal for overweight and / or older beginners, or re-entrants with a longer workout break. During exercise in this zone, the body burns about 4-6 calories per minute for energy. The percentage per calorie is about 70% fat, 25% carbohydrate and 5% protein.

#### Fat Burning Target Zone = 60 to 70% of maximum heart rate

This training zone is ideal for athletes whose goal is weight reduction. During exercise in this zone the body burns about 6-10 calories per minute for energy. The percentage per calorie is about 85% fat, 10% carbohydrate and 5% protein.

#### Condition & Fitness - Target Zone = 70-80% of maximum heart rate

This training zone is ideal for athletes whose goal is to improve their stamina or fitness. During exercise in this zone, the body burns about 10-12 calories per minute for energy. The percentage per calorie is about 35% fat, 60% carbohydrate and 5% protein.

For an optimal and effective training result, you should calculate the mean value of the desired target zone (see also table):

Wellness & Health - Target zone mean = 55% of maximum heart rate

Fat burning - target zone mean = 65% of maximum heart rate

Condition & Fitness - Target zone mean = 75% of maximum heart rate

## Warning: Pulse and Heart Rate Monitoring

**⚠ CAUTION** - Pulse and heart rate monitoring systems may be inaccurate. Excessive training can cause serious injury or even death. If you feel unwell and / or faint, stop training immediately. Make sure all users of your exercise device are familiar with this information, understand it and apply it unconditionally.

## Pulse Rate Monitoring using Hand Sensors

Most exercise equipment is equipped with hand pulse sensors. These are mostly in the cockpit or integrated into the handrails. These hand sensors are used for short-term determination of the pulse rate. To do this, you need to cover the sensors with both hands at the same time. After a short while, the display shows the current pulse rate. This measuring system is based on changes in electrical skin resistance measured by the hand sensors due to the heartbeat which causes blood pressure fluctuations. These changes are summarized to a mean value and shown in the display as the current pulse rate.

### **⚠ CAUTION:**

For large parts of the population, the pulse-induced skin resistance change is so minimal that usable values cannot be derived from the measurement results. Also callouses on the palms, damp hands and body shakes, which in many forms of exercise inevitable, prevents correct measurement. In such cases, the pulse value is displayed incorrectly or not at all.

Please check in the case of a faulty or failed measurement, whether this occurs only with one or with several people. If the display of the pulse does not work only in individual cases, the device is not defective. In this case we recommend the use of a chest belt to achieve a permanently correct pulse display. This is available as an accessory.

## Heart Rate Measurement via Chest Belt

Many MAXXUS® training devices are already fitted with a receiver as standard. Using a chest belt (we recommend the exclusive use of an uncoded POLAR® chest strap) allows you to wirelessly measure heart rate. The chest belt is as accessories available.

This optimal, ECG-accurate type of measurement takes the heart rate by means of a transmitter chest belt directly from the skin. The chest belt then sends the pulse via an electromagnetic field to the built-in cockpit receiver

We recommend you always use of a chest belt for heart rate measurement during heart rate-controlled programs.

### **⚠ CAUTION:**

The determination of the current heart rate by means of the chest belt serves only to display the current heart rate during exercise. This value says nothing about the safety and effectiveness of the training. Also, this type of measurement is in no way designed or suitable for medical diagnostic purposes.

Therefore, discuss with your family doctor the most suitable procedure for you and create your exercise plan before you start exercising:

This is especially true for persons:

- who have not been physically active for a long period of time
- are overweight
- are older than 35 years
- have too high or too low blood pressure
- have heart problems

If you are wearing a pacemaker or similar device, discuss this with your medical specialist before using a heart rate chest belt.

## Cockpit

### Display of:

- w Time
- w Distance
- w Calorie Consumption
- w Seed
- w Incline
- w Pulse (when using hand sensors)
- w Heart Rate (when using a chest belt optionally available as accessory)

### Technical Details

Motor:	DC-Motor
Constant Motor Power:	2.75HP/2.02kW
Drive type:	Grooved belt
Speed:	1.0 - 20 km/h, in 0.1 km/h adjustable levels
Adjustable Incline:	0 - 15%, in 1.0% electronically adjustable levels
Ø Drive roller, front:	approx. 60 mm
Ø Roller, rear:	approx. 60 mm
Running deck:	approx. 1,500 x 510 mm
Dimensions:	approx. 2,060 x 930 x 1,510 mm (LxBxH),
Dimensions, folded:	approx. 1.260 x 930 x 1.810 mm (LxBxH)
Total Weight:	approx. 131.5 kg
Maximum User Weight:	140 kg
Power Supply:	220-230V - 50Hz

### Area of Application:

Home Use – for private use only!

## Recommended Accessories

These accessories are best suited for use with your training device. All products are available from our online shop at [www.maxxus.de](http://www.maxxus.de) or direct from our showroom in Groß-Gerau.



### POLAR® Transmitter Chest Belt T34

Chest belt with optimised transmission range for determining heart rates. This accessory is required to use the pulse-controlled programs and for continual determination of current heart rate.



### MAXXUS® Care Oil

Optimal lubricant and release agent for running belt and running deck.

Available in the following sizes:

- 50ml - Bottle
- 250 ml - Bottle



### MAXXUS® Floor Protection Mat

Due to its extreme density and material thickness of 0.5cm or 1.2cm, this mat provides perfect protection for floors and floor coverings against damaging, scratches and soiling through body sweat. Noise caused by running and movement is significantly reduced:

Available in the following sizes:

- 160 x 90 cm - thickness 0.5 cm
- 210 x 100 cm - thickness 0.5 cm
- 100 x 100 cm - thickness: 1.2 cm

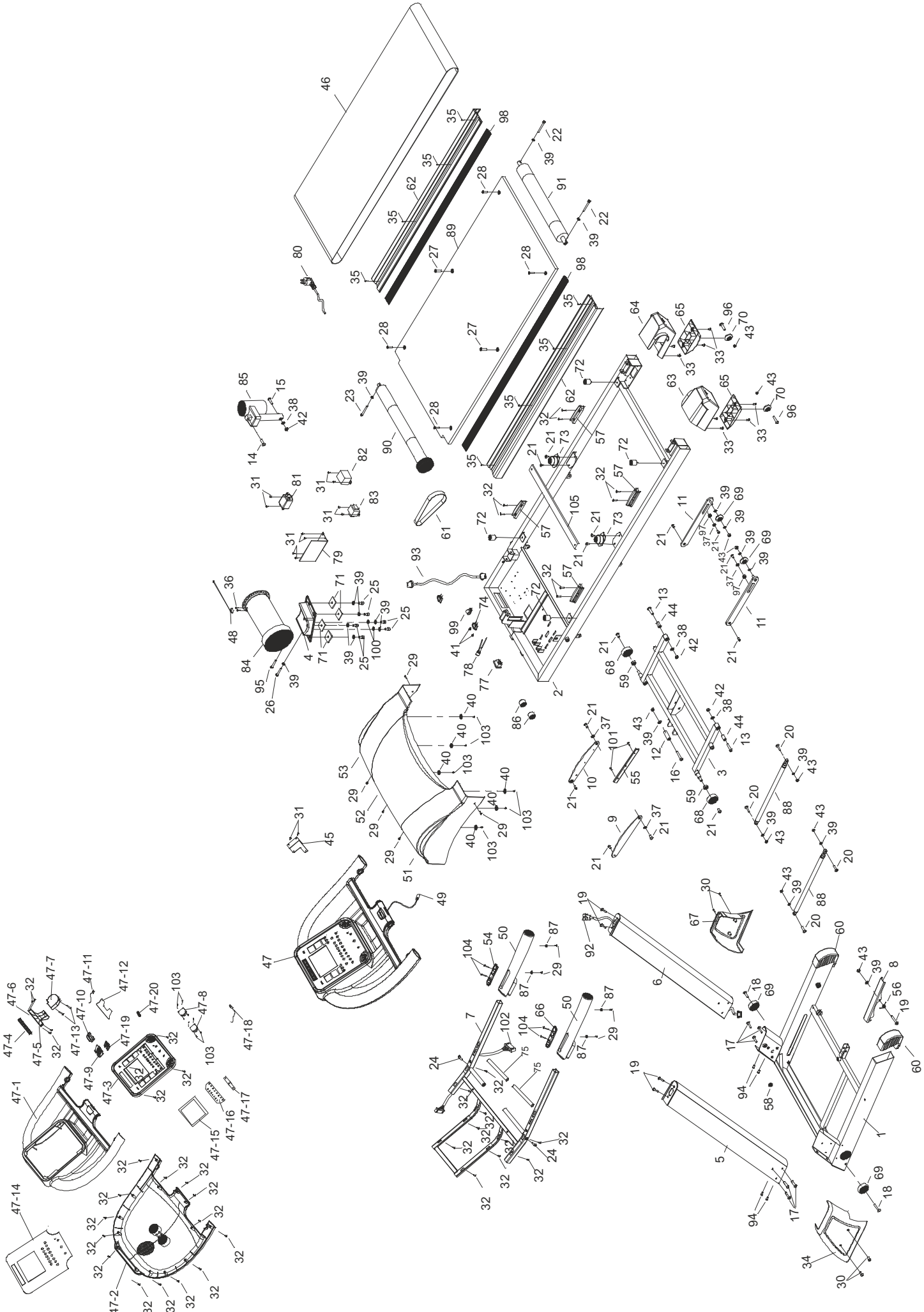
**MAXXUS® Degreaser Spray**- Optimal cleaning agent for sliding tubes and rollers. Frees the sliding tubes and rollers of dirt and cares for the surface.



**MAXXUS® Anti-Static Spray** - Counteracts static build-up on the frame, trim parts and training computer. Devices that stand on carpets or synthetic flooring, charge up static. The MAXXUS® anti-static spray prevents this. Treated synthetic surfaces do not attract the dust so quickly and stay clean longer.

**MAXXUS® Special Foam Cleaner** - For regular cleaning of your fitness equipment. Synthetic covers and metal frames can be cleaned perfectly with the MAXXUS® foam cleaner. Also suitable for cleaning chest belts and other training accessories.

# Exploded Drawing



## Parts List

Part	Description	Size	Qty	Part	Description	Size	Qty
1	Base fame		1	47	Computer up cover		1
2	Platform frame		1	48	Computer down cover		1
3	Incline frame		1	49	Switch		1
4	Motor base frame		1	50	Hand bar cover		2
5	Left Upright frame		1	51	Motor cover left		1
6	Right Upright frame		1	52	Motor cover middle		1
7	Computer frame		1	53	Motor cover right		1
8	Ezfit linking parts		1	54	PCB board		1
9	Connecting sheet left		1	55	Wire protector		1
10	Connecting sheet right		1	56	Spring		1
11	Wheel cover frame		2	57	Fan		1
12	Limited tube		1	58	Wire cover		1
13	Inner hex half thread screw	M10x55x20	1	59	Washer		2
14	Inner hex half thread screw	M10x35	1	60	Feet cover		2
15	Inner hex full thread screw	M10x60	1	61	Motor belt		1
16	Inner hex half thread screw	M8x80	1	62	Side rail		2
17	Inner hex half thread screw	M8x55	6	63	End cover left		1
18	Inner hex half thread screw	M8x60	2	64	End cover right		1
19	Inner hex half thread screw	M8x50	5	65	Feet pad		2
20	Inner hex half thread screw	M8x30	4	66	Handle pulse		2
21	Inner hex full thread screw	M8x10	14	67	Base frame cover right		1
22	Allen socket full thread screw	M8x75	2	68	Wheel	Ø62xØ12.5x22	2
23	Allen socket full thread screw	M8x65	1	69	Wheel	Ø46xØ8x18.5	4
24	Allen socket full thread screw	M8x15	2	70	End cover feet		2
25	Allen socket full thread screw	M8x20	6	71	Motor frame mat		4
26	Hex full thread screw	M8x75	1	72	Cushion board for running		4
27	Philip full thread screw	M8*25	2	73	Cushion board for running		2
28	Philip full thread screw	M6*25	4	74	Power end seat		1
29	Cross Allen full thread screw	M5x20	9	75	Foam		2
30	Cross Allen full thread screw	M4x20	4	76	---		--
31	Cross Allen full thread screw	M4x10	13	77	Switch		1
32	Cross Allen full thread screw	ST4x15	32	78	Fuse		1
33	Cross Allen full thread screw	M5x10	8	79	Controller		1
34	Base frame cover left		1	80	Power cord		1
35	Cross self-taping screw	ST4x15	8	81	Filter		1
36	Cross self-taping screw	ST3x10	2	82	Speed sensor		1
37	Washer	Ø25xØ8.2x2	4	83	Transformer		1
38	Washer	Ø10	3	84	Motor		1
39	Washer	Ø8	20	85	Incline motor		1
40	Washer	Ø6xØ20	6	86	magnet ring	Ø35xØ22x15	2
41	Cross self-taping screw	St3x10	2	87	Cushion	Ø5	4
42	Washer	M10	3	88	Cylinder		2
43	Washer	M8	8	89	Running board		1
44	Metal plug	Ø17xØ10xØ31	2	90	Front roller		1
45	Fan washer		1	91	Rear roller		1
46	Running belt		1	92	Wire in stand post		1



## Parts List

Part	Description	Size	Qty
93	Wire to controller		1
94	Inner hex full thread screw	M8*15	4
95	Screw	M8*65	1
96	Fan		1
97	Tube plug	Ø19.5xØ14.2x8.5	2
98	Decorate rail		2
99	Wire clip		1
100	Spring cushion	Ø8	2
101	Cross Allen screw	M5x15	2
102	Computer Wire		1
103	Cross self-taping screw	ST4x12	14
104	Cross allen full head screw	M3x28	4

### Parts - Cockpit

Part	Description	Size	Qty
47	Complete computer		1
47-1	Computer housing(up)		1
47-2	Computer housing(down)		1
47-3	Computer front cover		1
47-4	The swinging plate		1
47-5	air outlet left		1
47-6	air outlet right		1
47-7	Fan		1
47-8	Speaker		2
47-9	Safety key metal sheet		1
47-10	Safety key press part		1
47-11	Safety sensitive switch		1
47-12	Safety key sticker		1
47-13	Cross screw M4*40	M4x40	2
47-14	Console overlay		1
47-15	PCB board		1
47-16	PCB board for big buttons		1
47-17	PCB board for small buttons		1
47-18	Earphone socket(for option)		1
47-19	Safety key pull part		1
47-20	Spring		1

## Warranty\*

For MAXXUS® Support Team to help you as quickly as possible with service, we will require certain information about your fitness device and about you. To find the exact spare parts required, we will need the product name, date of purchase and serial number.

If necessary, please fill out completely the Repairs Contract/Damage Report form attached to this User Manual and send it to us by post or by fax.

### Areas of Application & Warranty Periods

Depending on the model, fitness devices from MAXXUS® are suitable for use in different areas. Find the appropriate area of use for your fitness device from the "Technical Data" in this User Manual.

#### Home Use:

Exclusively for private use

Warranty Period: 2 Years

#### Semi-Professional Use:

Use under instruction in hotels, physiotherapy practices, etc.

Use in a fitness studio or similar establishment is hereby excluded!

Warranty Period: 1 Year

#### Professional Use:

Use in a fitness studio or similar establishment under supervision by trained personnel.

Warranty Period: 1 Year

Use of your training device in an area which is not suitable for your device will cause immediate expiry of its guarantee and cancel your right to claim warranty!

Sole private use and warranty period of 2 years assumes that the purchase invoice is made out to the end user.

### Proof of Purchase and Serial Number

To claim your right to service works within the warranty period we will in each case require proof of purchase. Keep your proof of purchase or purchase invoice in a safe place and in warranty cases send us a copy together with your Repairs Contract/Damage Notification. This will ensure that we can process the service work as quickly as possible. So that we can identify which model version requires to be serviced correctly, we will require; Product Name, Serial Number and Date of Purchase.

### Terms and Conditions of Warranty:

The warranty period for your training device starts on the date of purchase and applies solely to products which were purchased directly from the MAXXUS Group GmbH & Co KG or one of the MAXXUS Group GmbH & Co KG direct and authorised distribution partners.

The warranty covers defects caused by production or material faults and only apply to devices purchased in Germany. The warranty does not apply to damages or defects caused by culpable improper use, negligent or purposeful destruction, lack or failure to carry out maintenance and/or cleaning measures, force majeure, operational causes and to normal wear and tear, damages caused by penetration of liquids, damage caused by repairs or modifications made with spare parts from a different supplier. The warranty also does not apply for damages due to faulty assembly or damages which occur because of faulty assembly. Certain component parts will wear out during use or from normal wear and tear. This includes for example:

- Ball bearings
- Bearing bushings
- Bearings
- Drive belts
- Switches and push-buttons
- Treadmill belts
- Treadmill decks
- Rollers

Signs of wear and tear on wearing parts are not items covered under the warranty.

For assistance with warranty service or warranty repair enquiries for devices not in Germany, please contact our Service Department at MAXXUS Group GmbH & Co KG by sending an Email to: [service@maxxus.de](mailto:service@maxxus.de) and we will be happy to help.

### IMPORTANT:

Please include the product name, your name and postal address, and a telephone number where we can contact you.

### Service Outside the Warranty and Ordering Spare Parts

The MAXXUS® Service Team is happy to be of assistance to help solve any problems with faults which may arise following expiry of the warranty period, or in cases of defects arising which are not covered by the warranty.

In this case please contact us by email direct to: [service@maxxus.de](mailto:service@maxxus.de):

**[service@maxxus.de](mailto:service@maxxus.de)**

Orders for Spare Parts or Worn Parts should be sent along with information on the Product Name, spare part description and number and the quantity required to:

**[spareparts@maxxus.de](mailto:spareparts@maxxus.de)**

Please be informed that additional fixing materials such as screws, bolts, washers etc are not included in the scope of delivery for individual spare parts. These should be ordered separately.

**MAXXUS<sup>™</sup> Repairs Contract / Damage Claim****Device Details**Product Name: **MAXXUS 8.1**Product Group: **Treadmill**

Serial Number: \_\_\_\_\_

Invoice Number: \_\_\_\_\_

Date of Purchase: \_\_\_\_\_

Where Purchased: \_\_\_\_\_

Accessories: \_\_\_\_\_

**Type of Use** Private Use Commercial Use**Personal Details**

Company: \_\_\_\_\_ Contact: \_\_\_\_\_

First Name: \_\_\_\_\_ Surname: \_\_\_\_\_

Street: \_\_\_\_\_ House No.: \_\_\_\_\_

Post Code / Town / City: \_\_\_\_\_ Country: \_\_\_\_\_

E-Mail: \_\_\_\_\_ Tel.-No.: \_\_\_\_\_

Fax-No. \*: \_\_\_\_\_ Handy-No. \*: \_\_\_\_\_

\*These details are optional; all other details are obligatory and must be filled-in

**Description of Fault**

Please give a short and as accurate as possible description of the fault:  
(eg. When, where and in what way did the fault occur. Regularity, and for what length of time, and in what type of use, etc ...)

 A copy of proof of purchase / invoice / receipt is attached. I acknowledge the General Business Terms and Conditions of Maxxus Group GmbH & Co. KG.

I hereby instruct the company Maxxus Group GmbH & Co. KG to repair the above-mentioned fault. In Warranty cases I will not be charged for the costs. The costs for repairs which are excluded from liability for defects in quality will be charged to me and must be settled immediately. In cases of repairs carried out on site, our staff are entitled to collect payment. This agreement is confirmed with here with my signature.

**Date****Location****Signature**

Please be aware that contracts can only be processed if this form has been completed in full. Be sure to attach a copy of your purchase invoice. Send the fully completed Repairs Contract / Notification of Damage Claim to:

**Post\*:** Maxxus Group GmbH & Co KG, Service Department, Zeppelinstr. 2, 64331 Weiterstadt**Fax:** +49 (0) 6151 39735 400**E-Mail\*\*:** customerservice@maxxus.de

\* Please stamp with sufficient postage – letters which are not sent postage paid will unfortunately not be accepted.

\*\* Submission by E-Mail is only possible as a scanned document with original signature

# MAXXUS<sup>®</sup>



**Maxxus Group GmbH & Co. KG**  
Zeppelinstr. 2 w D-64331  
Weiterstadt Germany  
E-Mail: [info@maxxus.de](mailto:info@maxxus.de)  
[www.maxxus.de](http://www.maxxus.de)